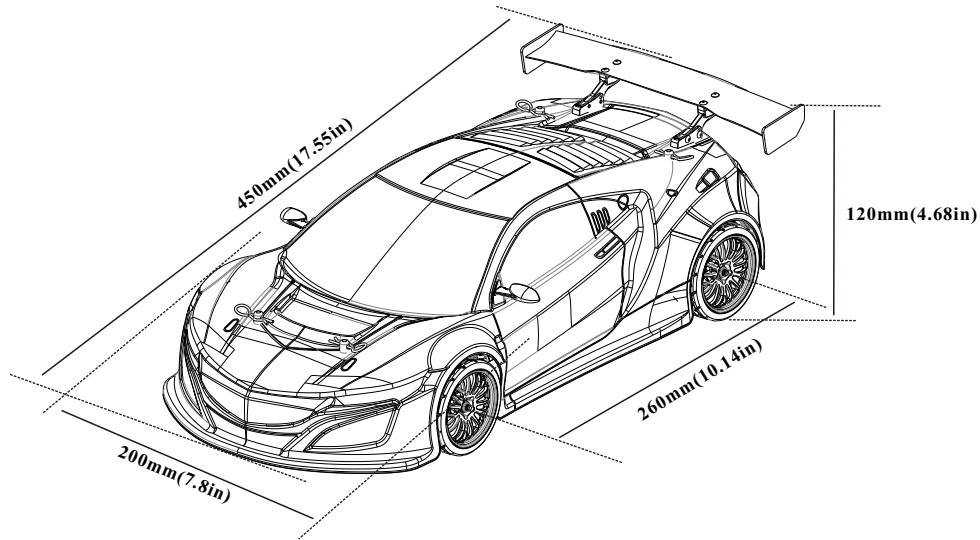


Specifications



Brushed Version:

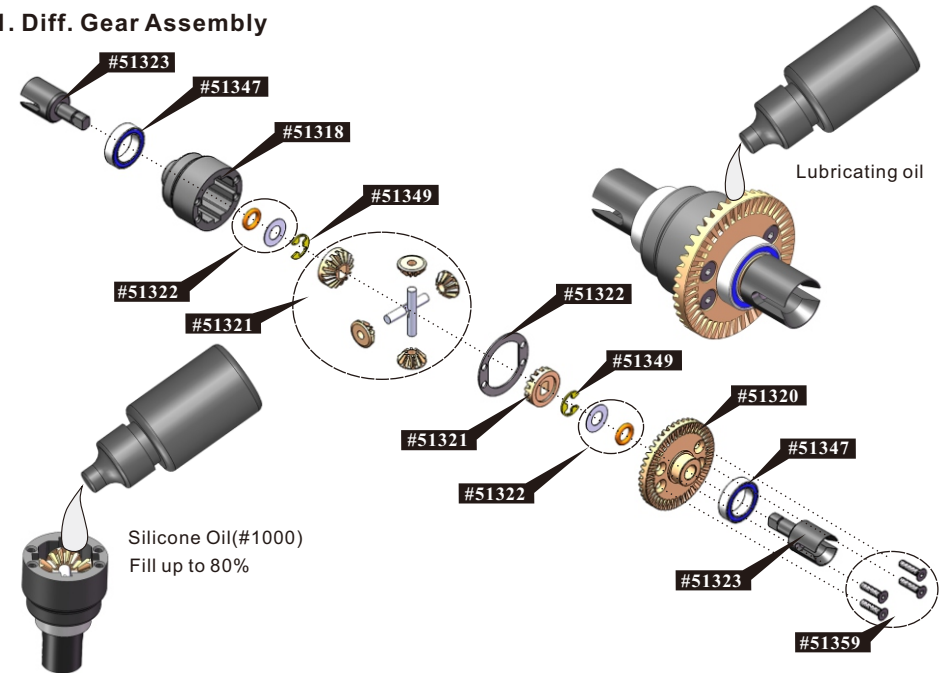
Item No.	94513	Wheel	66*35mm	Motor	RC540-8017
Item Name	HISPEED GT	Main Material	Plastic/Hardware/Rubber	Servo	6kg
Scale	1/10	Radio/Rx	G4P-2.4G/4CH	Speed	>35kn
Description	RTR-On-Road	R/C Distance	>110?	Weight	1610g
Length	450mm	Transmitter Battery	?AA?4P	Gead Ratio	1:6.9
Width	200mm	Battery Pack	7.4V 3500mAH	Body Color	PC
Height	120mm	Running Time	>25min	Gift Box Size	555*245*155mm
Wheel Base	260mm	Charger Spec	11.1/7.4V800mA (Euro/UK/USA)	Piece per Carton	4P
Ground Clearance	6mm	Electronic Speed Control	WP-1060 / 60A	Certification	EN71,RoHS,CE,FCC

Brushless Version:

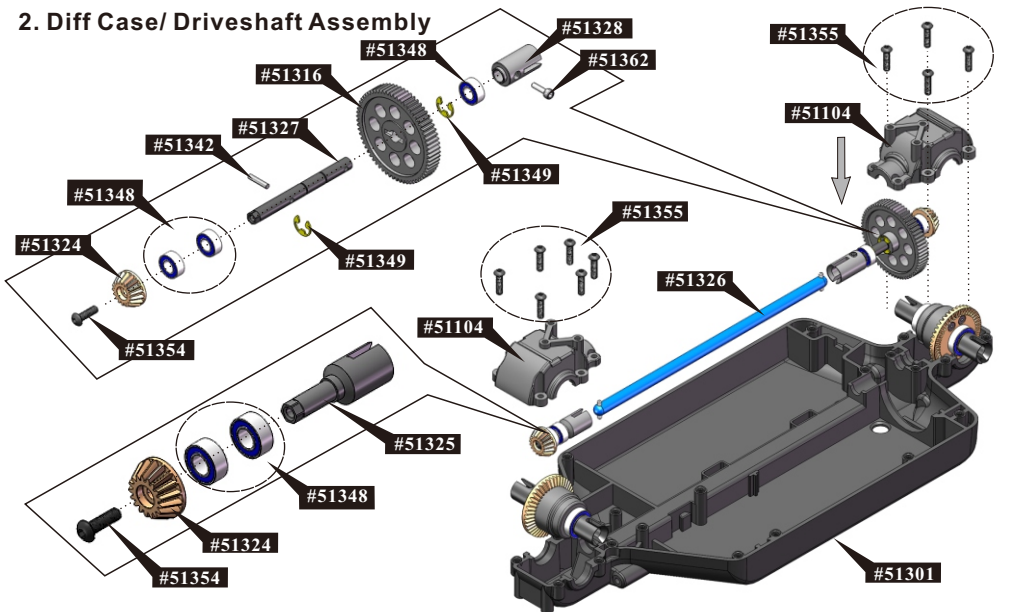
Item No.	94513PRO	Wheel	66*35mm	Motor	3652/3300kv
Item Name	HISPEED GT	Main Material	Plastic/Hardware/Rubber	Servo	6kg
Scale	1/10	Radio/Rx	G4P-2.4G/4CH	Speed	>60kn
Description	RTR-On-Road	R/C Distance	>110?	Weight	1660g
Length	450mm	Transmitter Battery	?AA?4P	Gead Ratio	1:6.9
Width	200mm	Battery Pack	7.4V 3800mAH	Body Color	PC
Height	120mm	Running Time	>25min	Gift Box Size	555*245*155mm
Wheel Base	260mm	Charger Spec	11.1/7.4V800mA (Euro/UK/USA)	Piece per Carton	4P
Ground Clearance	6mm	Electronic Speed Control	WP-10BL50 / 50A	Certification	EN71,RoHS,CE,FCC

Assembly Steps

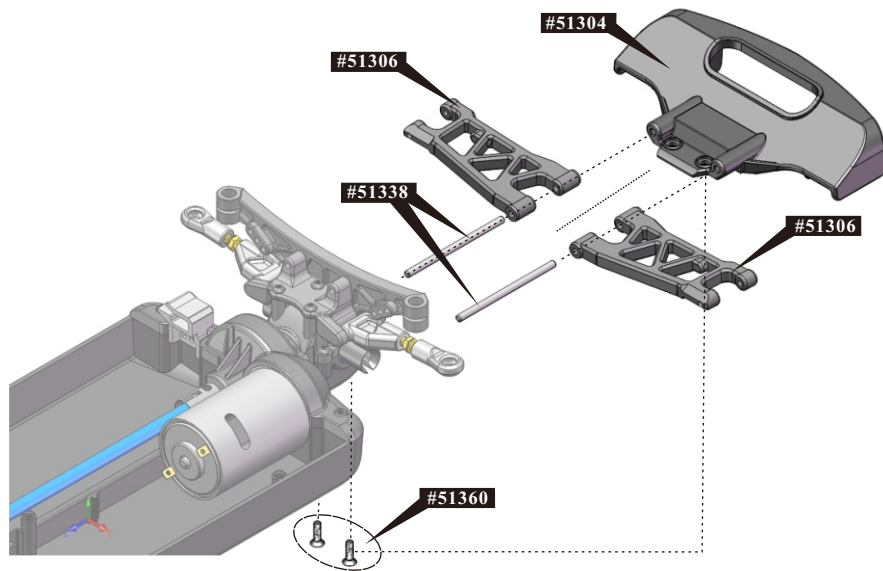
1. Diff. Gear Assembly



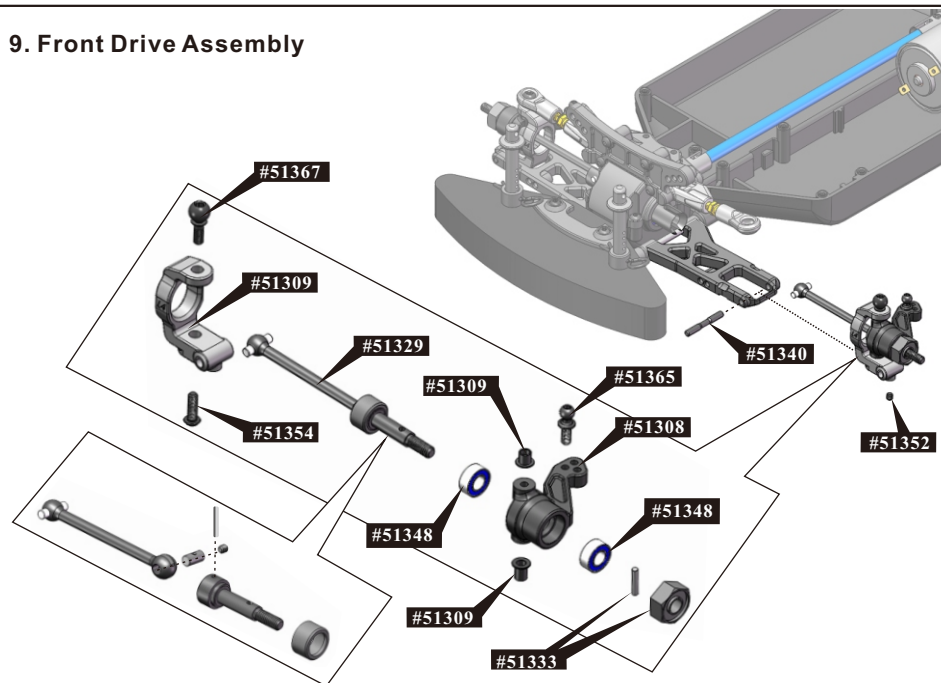
2. Diff Case/ Driveshaft Assembly



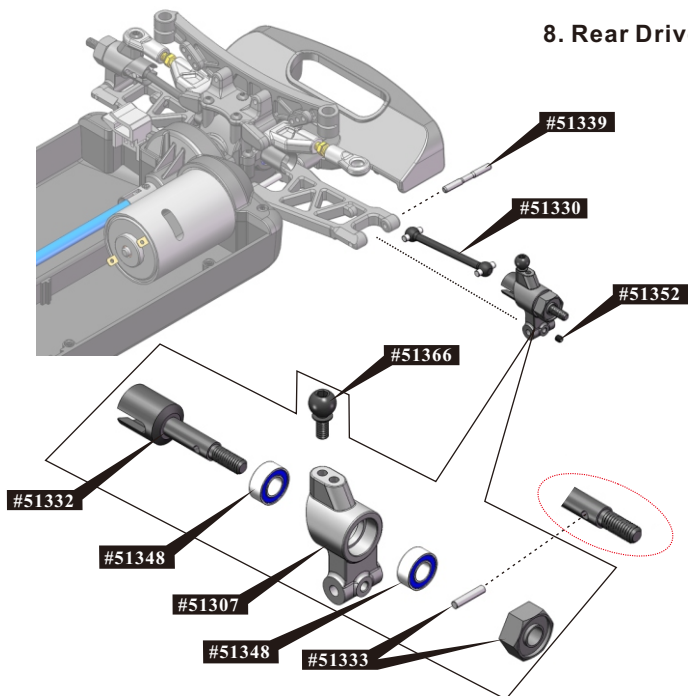
7. Rear Bumper Assembly



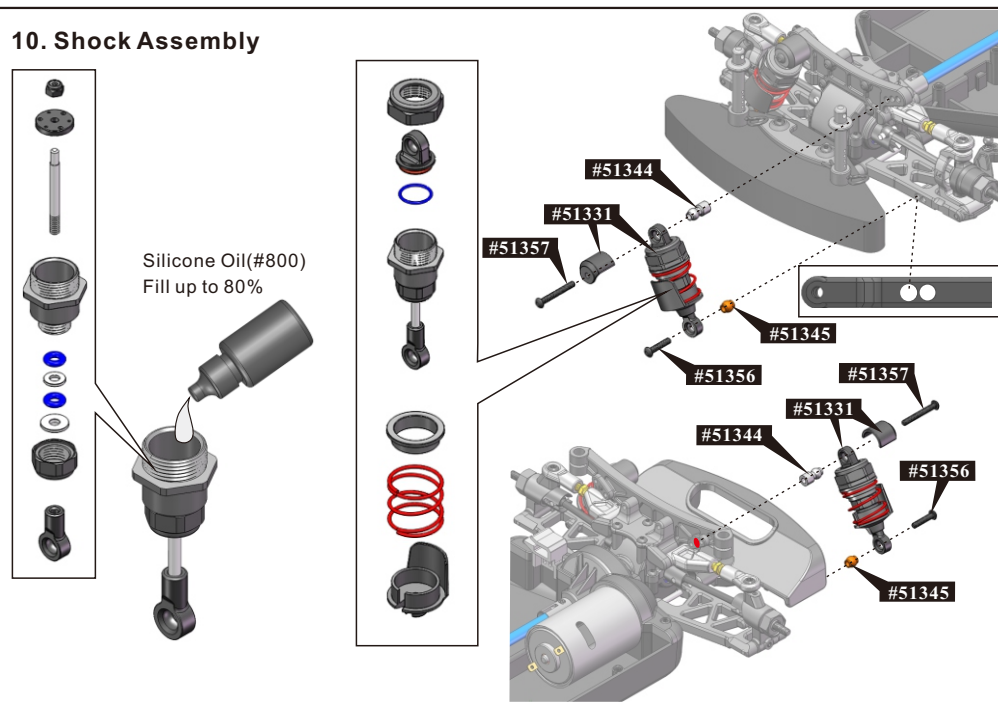
9. Front Drive Assembly



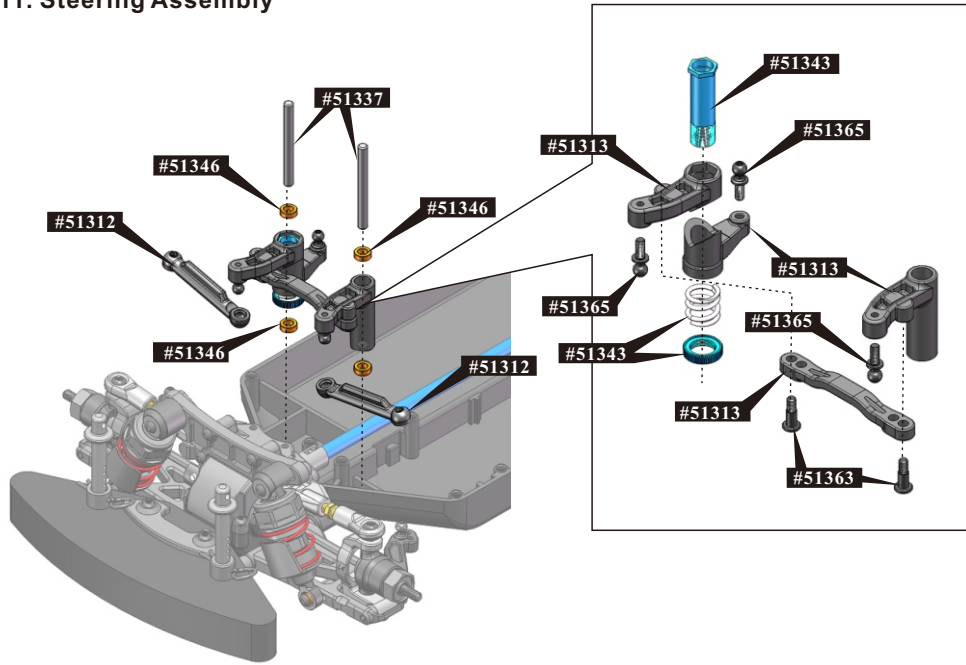
8. Rear Drive Assembly



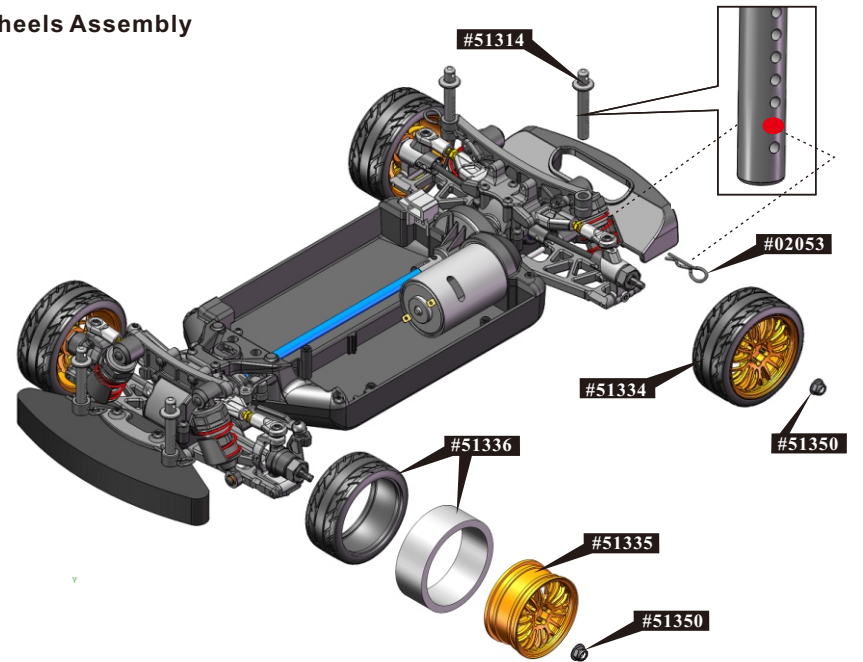
10. Shock Assembly



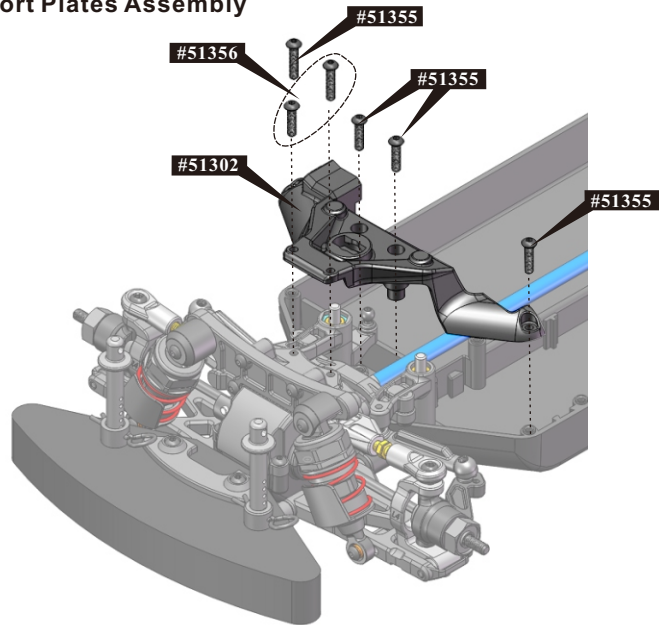
11. Steering Assembly



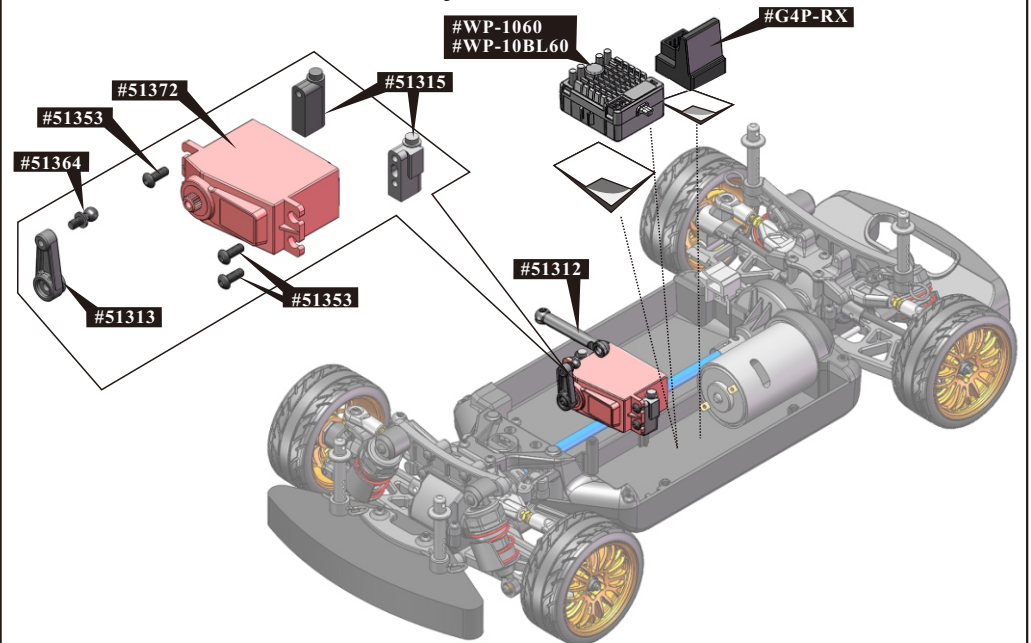
13. Wheels Assembly



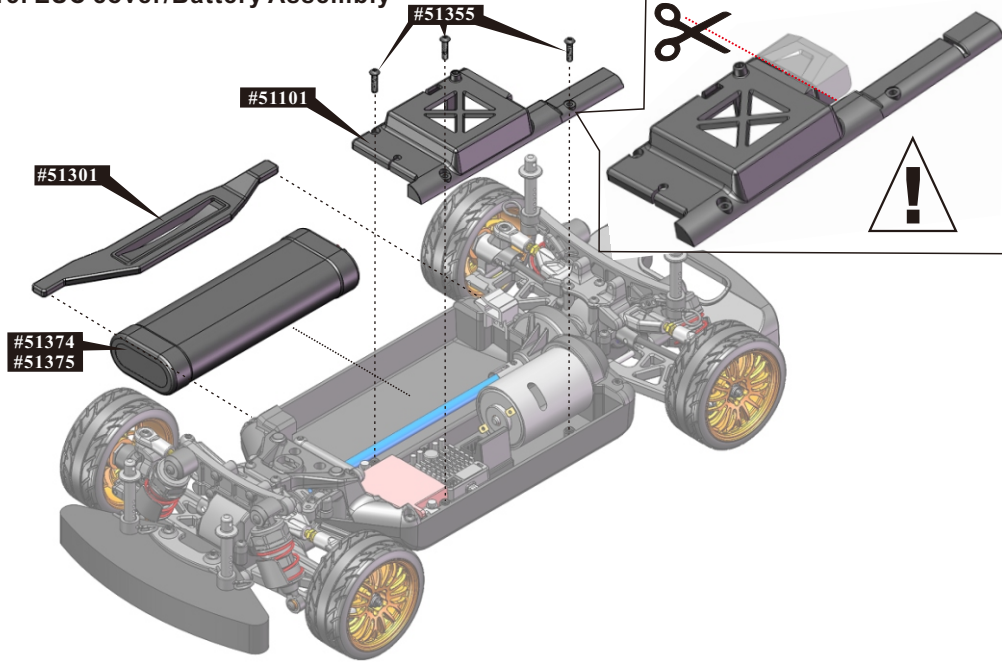
12. Front Support Plates Assembly



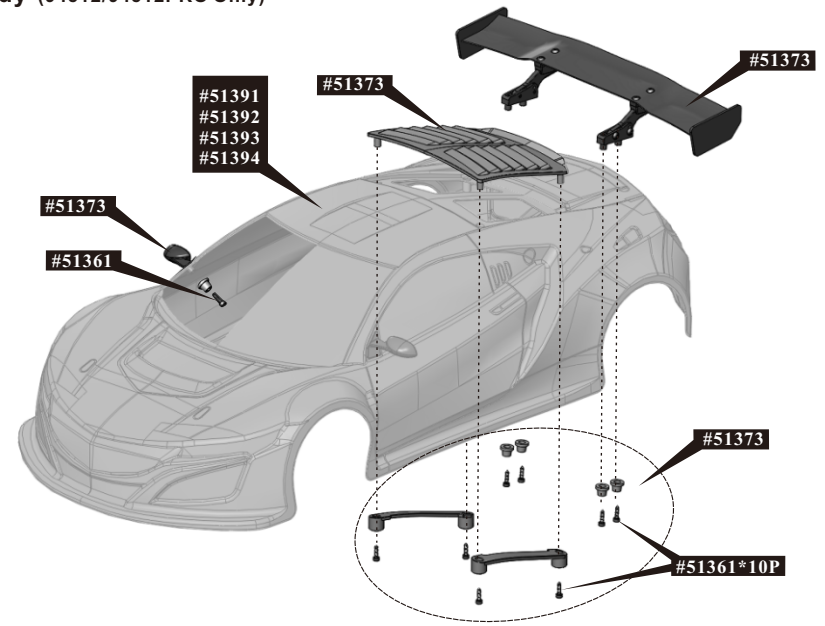
14. Servo / Electrical Parts Assembly



15. ESC cover/Battery Assembly

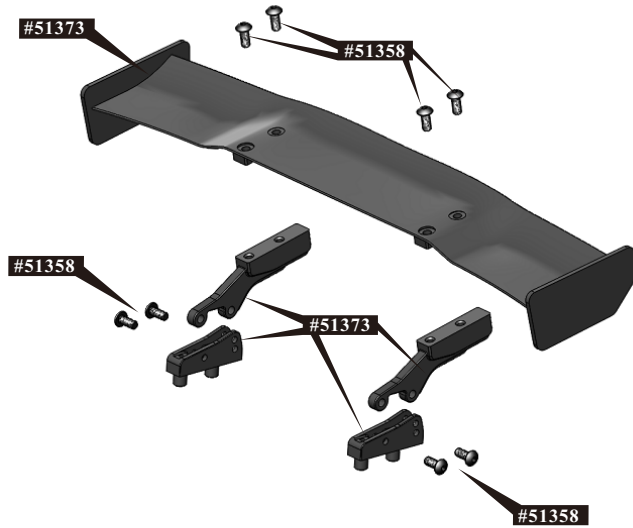


17. Body (94512/94512PRO Only)

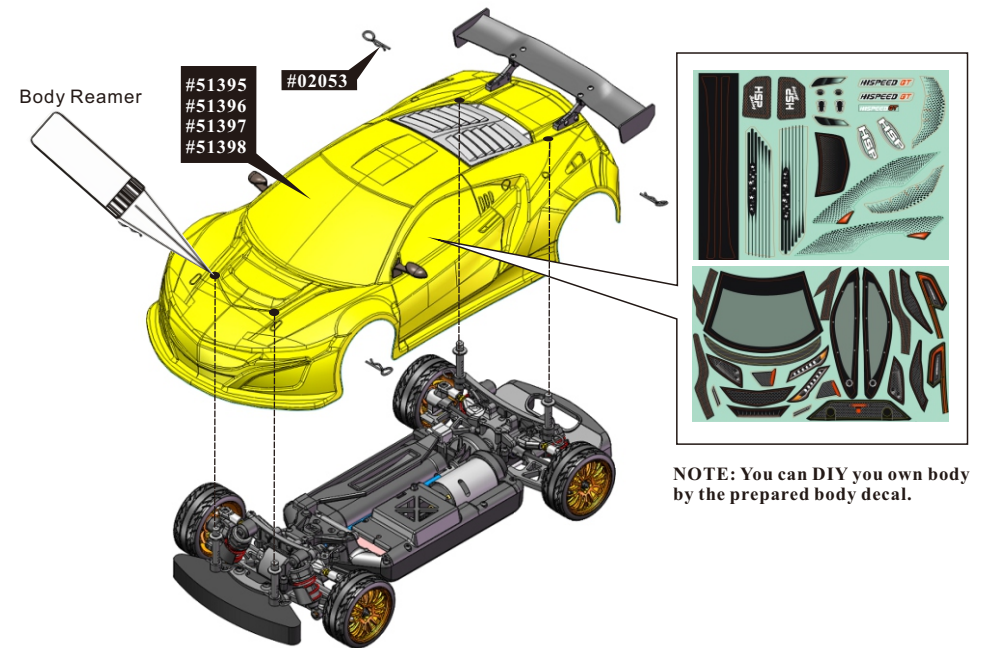


16. Body Wing Assembly

(94512/94512PRO Only)








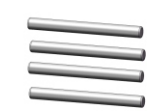








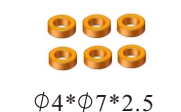

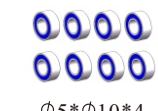


















Body Reamer











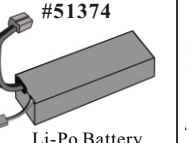


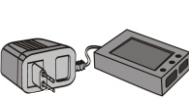


Spare Part

#51101  ESC Cover	#51102  Front Holder	#51103  Gear Cover	#51104  Gearbox Housing	#51301  Chassis / Battery brace
#51302  Shock Tower	#51303  Shock Mount	#51304  Bumper	#51305  Front Lower Sway Bar (L/R)	#51306  Rear Lower Sway Bar (L/R)
#51307  Rear Axle Mount	#51308  Steering Mount	#51309  Caster Block (R/L)	#51310  Front Upper Sway Arm (L/R)	#51311  Rear Upper Sway Arm (L/R)
#51312  Steering Links Set	#51313  Steering Mount Set / Steering horn	#51314  Body Post	#51315  Servo Mount	#51316  Crown Gear (64T)
#51317  Motor Mount	#51318  Diff. Case	#51319  Diff Gears Set	#51320  Diff Main Gear(42T)	#51321  Diff Bevel Gear Set
#51322  Diff Gasket & O Ring	#51323  Cap Joint for Diff.	#51324  Drive Gear(17T)	#51325  Driveshaft Cap Joint-1	#51326  Central Driveshaft
#51327  Driveshaft	#51328  Driveshaft Cap Joint-2	#51329  Front CVD Drive shaft	#51330  Rear shaft	#51331  Shock Absorber

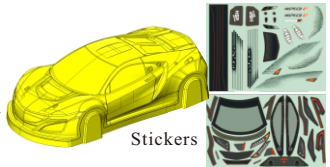
Spare Part

#51332  Wheel axle	#51333  Wheel Hex.W	#51334  Wheel Complete L/R	#51335  Wheel Rim	#51336  Tire W/Foam
#51337  Pin 1-4*40	#51338  Pin2-3*54	#51339  Pin3-3*28	#51340  Pin4-3*23	#51341  Pin5-2.5*22
#51342  Pin 6-2*10	#51343  Steering Saver Tube & Spring Set (metal)	#51344  Shock Pivot Ball (upper)	#51345  Shock Pivot Ball (lower)	#51346  Φ4*Φ7*2.5 Copper Bearing
#51347  Φ10*Φ15*4 Ball Bearing 1	#51348  Φ5*Φ10*4 Ball Bearing 2	#02053  Body Clip	#51350  Flange Nut M4	#51351  Nylon Nut M2.5
#51352  Grub Hex Screw 3*3	#51353  Button Head 3*8	#51354  Button Head 3*10	#51355  Button Head 3*12	#51356  Button Head 3*14
#51357  Button Head 3*23	#51358  Button Head 2.5*6	#51359  Flat Head 2.5*10	#51360  Flat Head 3*10	#51361  Column Head 2*8 Self-tapping Screw
#51362  Step Screws M4*10	#51349  E-Clips Φ4.0mm	#51363  Step Screws 3.5*10	#51364  Φ4.8*5 Ball Head Screw	#51365  Φ4.8*7 Ball Head Screw

Spare Part

 <p>#51366 2.0 Φ6.8*6 Ball Head Screw</p>	 <p>#51367 2.0 Φ6.8*8 Ball Head Screw</p>	 <p>#51369 M4 Motor Gear(23T)</p>	 <p>#51370 Motor(RC540-8017)</p>	 <p>#51371 Brushless Motor 3300kv</p>
 <p>#51372 Servo-6KG</p>	 <p>#WP-1060 ESC Brushed-60A</p>	 <p>#WP-10BL50 ESC Brushless-50A</p>	 <p>#51374 Li-Po Battery ?7.4v 3500mAh?</p>	 <p>#51375 Li-Po Battery ?7.4v 3800mAh?</p>
 <p>#51368 Bumper Foam</p>	 <p>#51376 Charger (Li-Po)</p>	 <p>FS-#G4P</p>	 <p>#51373 2*8*10P 2.5*6*8P Body Accessories</p>	

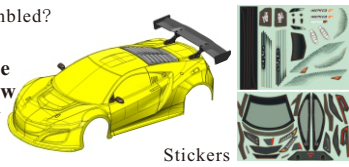
PC Body
#51390-Clear
#51391-Red
#51392-White
#51393-Yellow
#51394-Gray



Stickers







PC Body(Assembled?)

#51395-Red
#51396-White
#51397-Yellow
#51398-Gray



Stickers

Upgradable Optionals

 <p>#11184 (64T) Diff Main Gear Mefal</p>	 <p>#513001 Motor Gear (16T/17T/19T/21T)</p>	 <p>#513002 Rear Axle Mount(AL.)</p>	 <p>#513003 Steering Mount(AL.)</p>	 <p>#513004 R L Caster Block(AL.)</p>
 <p>#513005 Motor Mount(AL.)</p>				

PRODUCT QUALIFICATION CERTIFICATION

The product has conducted IQC (Input Quality Control) and full inspection before delivery. The manufacturer is responsible for quality assurance. Remote Control model is assembled manually, and then there may have some defects in the production process. Once the product is modified or incorrect operation, it cannot apply for replacement and return services, for the parts and accessories may be damaged. Please contact the retail seller for after-sales service when needed.

The product conforms to technical requirements of export safety regulations.

Notes:

- ⇒ Read and understand the instructions carefully before operating or assembling your racing model.
- ⇒ Specifications are subject to change without prior notice, and actual received model may vary from the images and/or descriptions in this manual.

Factory Address: Huang Jiang Town, Dong Guan City,
Guang Dong Province, China

Production Date: refer to packing instruction

