

# 1/10th 4WD Electric Power R/C Off-Road Truck

## Specifications:

LENGTH	WIDTH	HEIGHT	WHEEL BASE	DRIVE SYSTEM	GROUND CLEARANCE	DIAMETER OF WHEEL	WIDTH OF WHEEL	GEAR RATIO
400mm	300mm	160mm	275mm	4WD Shaft Drive	32mm	118mm	52mm	1:10.3

Styles	Motor	KV (Brushless Motor)	Motor RPM range	Battery Specification	ESC Specification	ESC Temperature protection	Under Voltage Protection	Gear Ratio	Speed
Brush Version	Rc540		20000rpm	NiMH-7.2V-1800mAh	Continue Forward150A/ Continue outward100A			1/10.3	28KM
Brushless Version	3650 (RC540)	3300KV	23760rpm 24420rpm	NiMH-7.2V-2000mAh LiPO-7.4V-3600mAh 25C	Brushless 75A	98(+/-3-5 centigrade)	below 5V1A	1/8.9	40KM
TOP Brushless Edition	3650 (RC540)	2724KV	22882rpm 30236rpm	NiMH-8.4V-3000mAh LiPO-11.1V-3600mAh 25C	Brushless 80A w/Fan	98(+/-3-5 centigrade)	below 7.2V1A	1/8.9	60KM

Styles	GENERAL GEAR			PRO1.GEAR			PRO2.GEAR(Metal)		
	Diff.Main Gear	Motor Gear	Gear Ratio	Diff.Main Gear	Motor Gear	Gear Ratio	Diff.Main Gear	Motor Gear	Gear Ratio
Brush Version	#11164-64T	#11119-17T	1:10.3	#11188-48T	#11183-13T	1:10.79	#11184-64T	#11181-21T	1:8.9
Brushless Version				#11188-48T	#11185-15T	1:9.35	#11184-64T	#11181-21T	1:8.9

## Spare Part

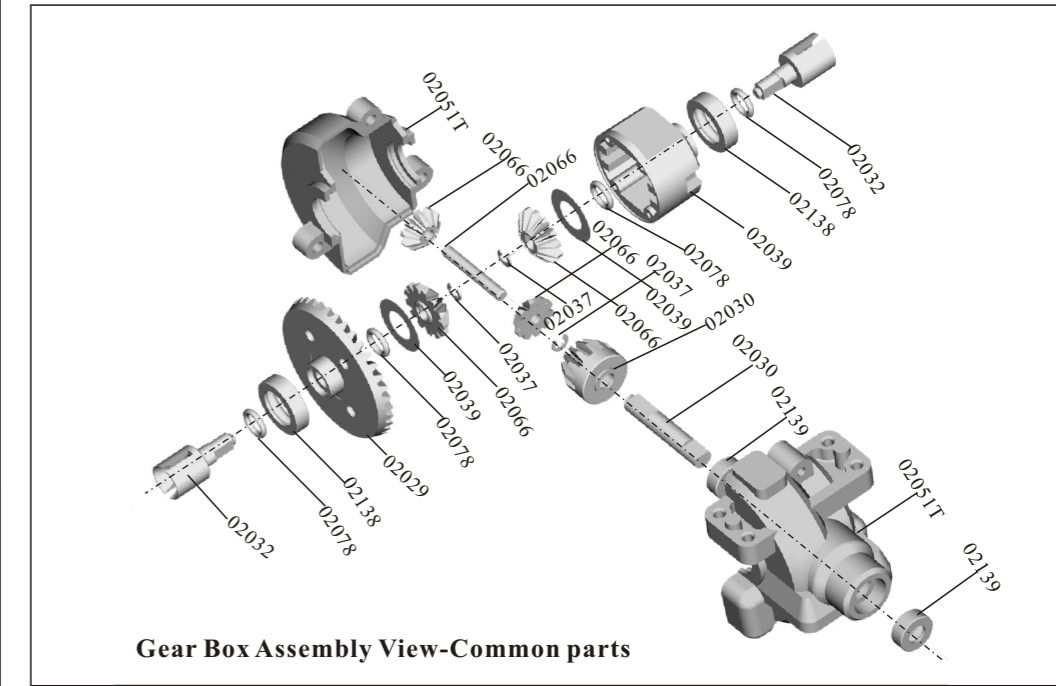

## Spare Part


## Pro. Spare Parts

		 11184-Diff.Main Gear Metal (64T)	 11181-Motor Gear Metal (21T) Optional	

## Upgradable Optionals


## Upgradable Optionals

## Spare Part


## Spare Part


## Optionals


## Pro. Spare Parts

--	--	--	--	--

## Off-Road Truck Full Assembly View

