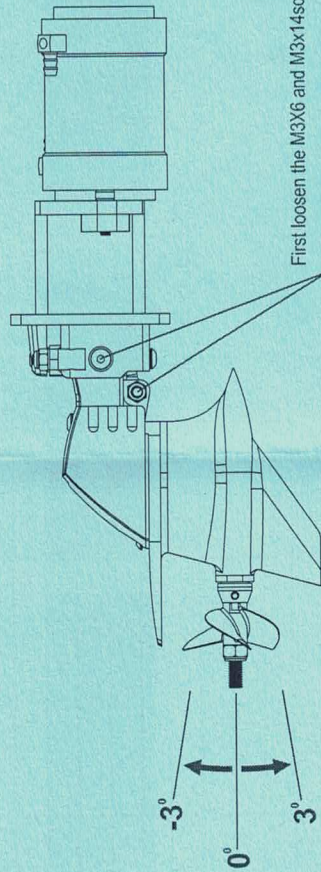


Adjust Tilt Angle/调整角度



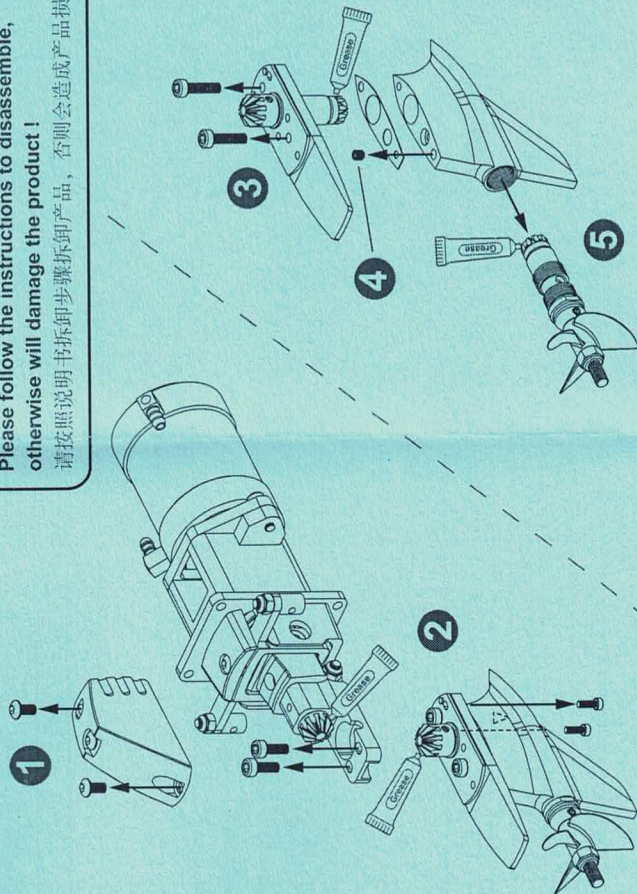
First loosen the M3x6 and M3x14 screw, then adjusting the angle to which you need. 拧松M3x6和M3x14螺丝后调整角度

After Use Maintenance/使用后维护

⚠ Caution/警告:

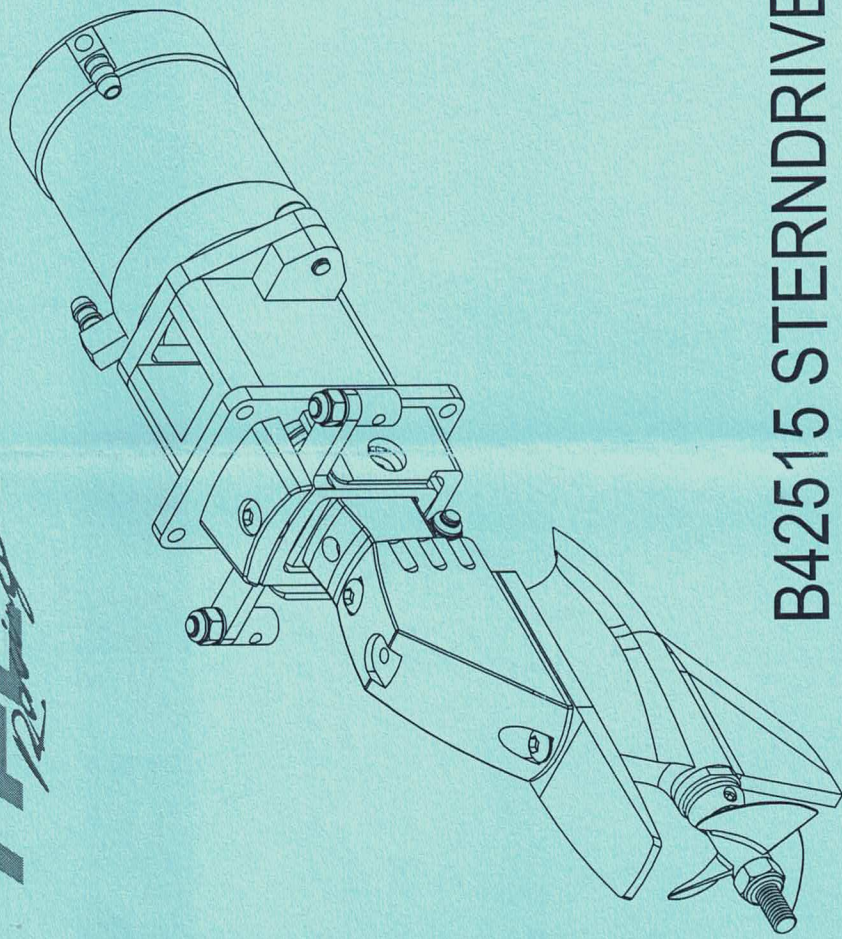
Please follow the instructions to disassemble, otherwise will damage the product!

请按照说明书拆卸步骤拆卸产品, 否则会造成产品损坏!



⚠ After 10 times running, remove Gear then apply Grease (purchase separately) 每运行10次以后, 拆出齿轮添加润滑油 (另购)

TFL Hobby



B42515 STERNDRIVE

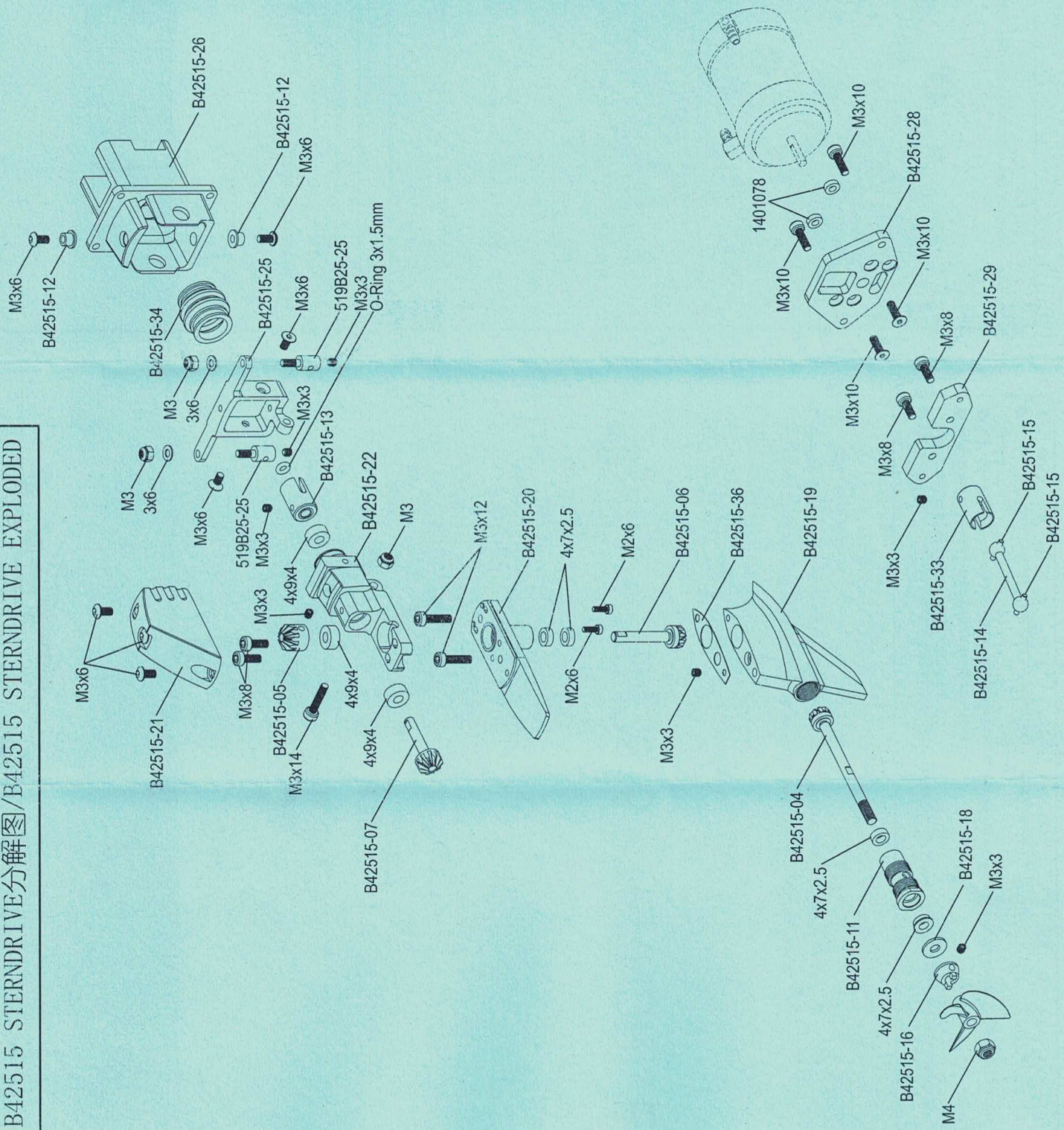
Caution/警告:

This power drive system is only suitable for under KV2800 brushless motor, Also after the motor setup with water jacket can not be exceed the maximum outer diameter 36.5mm

此动力系统适用于KV2800以下的无刷电机, 并且电机装上水冷套后最大外径不能超过36.5mm

- First-time builders should seek the advice of experienced modellers before beginning assembly or if they do not fully understand any part of the construction.
- Assemble this kit only in places out of children's reach!
- Take enough safety precautions prior to operating this model. You are responsible for this model's assembly and safe operation!
- This model is not a toy. It is designed for users over 14 years of age.

B42515 STERNDRIIVE分解图/B42515 STERNDRIIVE EXPLODED



编号	名称	规格	用量
B42515-16	P1尾机泵叉		1Pcs
B42515-18	10x4x1垫片		1Pcs
B42515-11	P1尾机轴承托		1Pcs
B42515-04	10T圆锥直齿轮A		1Pcs
B42515-19	P1尾机主座		1Pcs
B42515-06	10T圆锥直齿轮B		1Pcs
B42515-20	P1尾机压水板		1Pcs
B42515-05	10T圆锥直齿轮C		1Pcs
B42515-07	10T圆锥直齿轮D		1Pcs
B42515-22	P1尾机副座		1Pcs
B42515-21	P1尾机罩		1Pcs
519B25-25	M3定位豆		2Pcs
B42515-13	P1尾机狗骨杆		1Pcs
B42515-25	P1尾机摇臂		1Pcs
B42515-34	P1尾机风琴帽		1Pcs
B42515-12	P1尾机轴套		2Pcs
B42515-26	P1尾机尾座		1Pcs
B42515-15	2x10销钉		2Pcs
B42515-33	P1尾机3.2狗骨杯		1Pcs
B42515-36	垫片		1Pcs
B42515-29	P1尾机直出马达板B		1Pcs
B42515-28	P1尾机直出马达板A		1Pcs
B42515-14	P1尾机狗骨		1Pcs
1401078	马达垫片		2Pcs
	轴承	4x7x2.5	3Pcs
	轴承	4x9x4	3Pcs
	带边轴承	4x7x2.5	1Pcs
	防松螺母	M4	1Pcs
	防松螺母	M3	3Pcs
	内六角平端螺丝	M3x3	7Pcs
	圆柱头内六角机械螺丝	M3x12	2Pcs
	圆柱头内六角机械螺丝	M3x8	4Pcs
	圆柱头内六角机械螺丝	M3x14	1Pcs
	圆柱头内六角机械螺丝	M3x10	2Pcs
	圆柱头内六角机械螺丝	M2x6	2Pcs
	沉头内六角机械螺丝	M3x6	2Pcs
	沉头内六角机械螺丝	M3x10	2Pcs
	半圆头内六角机械螺丝	M3x6	5Pcs
	垫片	3x6	2Pcs
	O型密封圈	3x1.5	1Pcs

