



INSTRUCTION MANUAL
& REFERENCE GUIDE



INTRODUCTION

Serpent developed the Eryx 411 4.0 model car for demanding racers in the highly competitive electric 1/10th scale TC market, which like all our previous cars, has been designed to win straight from the box.

Serpent designers developed this Eryx 4.0 for you, in close cooperation with Serpent team-drivers and based on feedback of many Eryx drivers. State of the art engineering combined with top-level manufacturing quality, created a Serpent touringcar that performs on the very highest level of racing.

We at Serpent are confident you will enjoy the assembly stage and many weekends and hours of racing. The Serpent teamdrivers, as well as dealers and distributors are here to support you.

For latest information about the Eryx 411 4.0 check on: www.serpent.com/400017

Enjoy racing !

Team Serpent

INSTRUCTIONS

Serpent's long tradition of excellence extends to the instruction manuals, and this instruction manual is no exception. The easy-to-follow layout is richly illustrated with 3D-rendered full-color images to make your building experience quick and easy. Following the instructions will result in a well-built, high-performance race-car that will soon be able to unleash its full potential at the racetrack.

INSTRUCTIONS, HOW TO USE

The kit includes bags, with bagnumbers, which refer to the same step in the manual. Open only the indicated bag(s) per step and finish that part of the assembly. Remaining parts will be needed later on in the assembly process.

SETUP

In certain assembly steps you need to make basic adjustments, which will give you a good initial setup for your Serpent Eryx 411 4.0. Fine-tuning the initial setup is an essential part of building a high-performance racecar like your Eryx 411 4.0.

EXPLODED VIEWS AND PARTS LIST

The exploded views and parts lists for the Serpent Eryx 411 4.0 are presented in the Reference Guide section in the back of this manual. The exploded views show all the parts of a particular assembly step along with the Serpent part number. The parts lists indicate the part number and name of each part for easy reference when ordering.

CUSTOMER SERVICE

Serpent has made a strong effort to make this manual as complete and clear as possible. Additional info may be published in our website: www.serpent.com or you may ask your dealer or the Serpent distributor for advice, or email Serpent direct: info@serpent.com

The Serpent Facebook, Twitter and Youtube pages give additional means of support and communications.

SAFETY

Read and take note of the 'Read this First section' before proceeding to assemble the car-kit. This car-kit is intended for persons aged 16 or older.

Read this first!


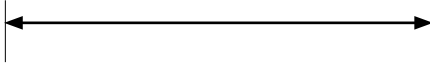


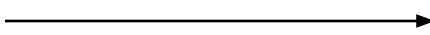




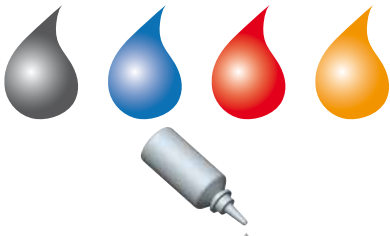
- This is a highly technical hobby product, intended to be used in a safe racing environment. This car is capable of speeds in excess of 80 km/h or 50mph. Please follow these guidelines when building and operating this model.
- Parental guidance is required when the builder/user of this car is under 16.
- Follow the building instructions. If in doubt, contact your dealer or importer.
- Be sure to use the proper tools when assembling the car. Always exercise caution when using electric tools, knives and other sharp objects.
- Be careful when using liquids like lubrication oil, fuel or glue. Do not swallow.
- Follow the manufacturer's instruction in case you experience irritation after using the product.
- Be careful when operating the car. Stay away from any rotating parts such as wheels, gears and transmission. Stay away from motor, engine and exhaust pipe system or speedo during and immediately after use, as these parts may be very hot. We advise to use protective hand gloves.
- Only operate this car in a safe environment, like a special racing track or a closed parking lot. Avoid using this car on public roads, crowded places or near infants.
- Before operating this car, always check the mechanical status of the car. Also check that the transmitter and receiver frequencies correspond and are not used by any other racer at the same time. Check that the batteries of the transmitter and receiver- are fully charged.
- After use, always check all the mechanics of the car. We advise to clean the car immediately after use, and inspect the parts for wear or fractures. Replace when necessary. Do not use water, methanol, thinner or other solvents to clean the car.
- Empty the fuel tank (depending on model) if needed and disconnect the receiver battery.
- Store the car in a dry and heated place to avoid corrosion of metal parts.
- Avoid using this car in wet conditions as the water will cause corrosion on the metal parts and bearings and these parts will cease to function properly. If driven in the wet, ensure that all the electric equipment is waterproofed and after use, that all moving parts are dried immediately.

CONTENTS

INTRODUCTION	2
READ THIS FIRST	2
HOW TO USE THE MANUAL	3
ASSEMBLY INSTRUCTIONS	4
EXPLODED VIEWS	20
LINKS TO SERPENT WEBSITES	26

HOW TO USE THE MANUAL

Each step contains a variety of numbers, lines, and symbols. The numbers represent the order in which the parts should be assembled. The lines and symbols are described below.

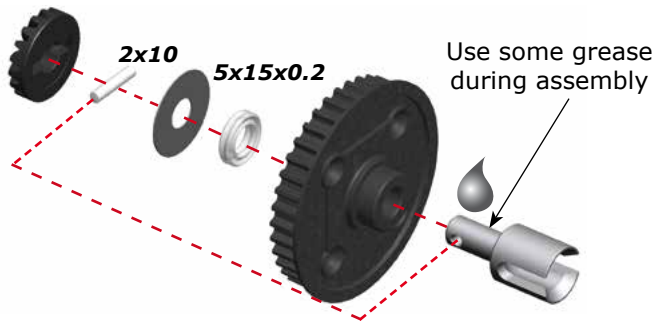
	Step number; the order in which you should assemble the indicated parts
	Length after assembly
	Assembly path of one item into another
	Group of items (within lines) should be assembled first
	Direction the item should be moved
	Glue one item to another
	Press/Insert one item into another
	Connect one item to another
	Gap between two items
	Apply transmission grease (Grey), threadlock* (Blue), CA glue* (Red) or silicone grease (Orange). (*Items not included.)
	Apply silicone oil,

ASSEMBLY INSTRUCTIONS




DIFFERENTIAL ASSEMBLY

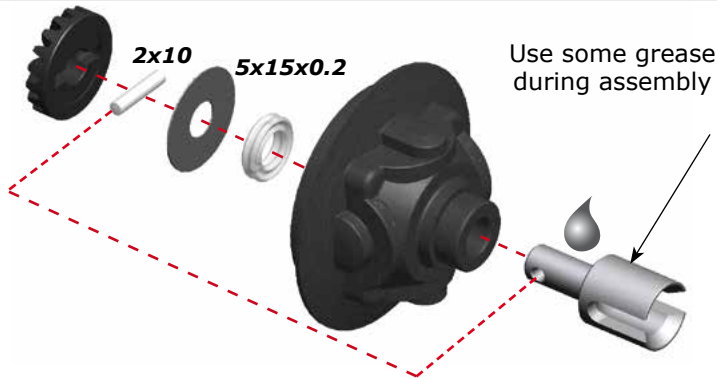
STEP 1
BAG DIFF



NOTE:
In step 2 to mount the pin, first put the pin in the purpose made slot as shown, and after slide it through the hole in the shaft.



STEP 2



STEP 3

3.1

NOTE:
Add just enough oil to cover the large gear before assembling the small satellite gears and cross pins (step 3.3).



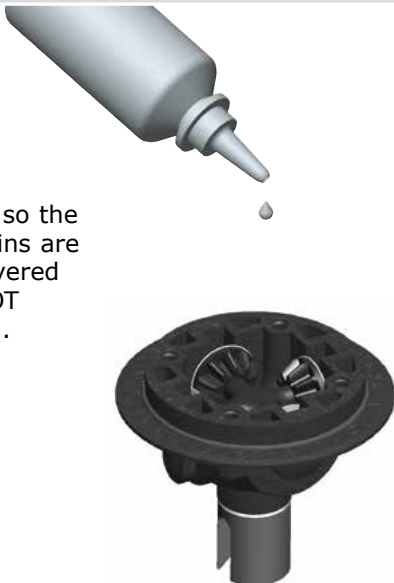
3.2



STEP 4

4.1

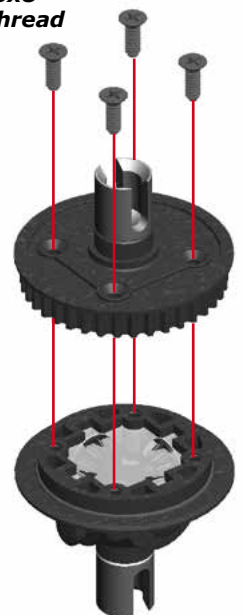
NOTE:
Add oil so the cross pins are just covered (DO NOT overfill).

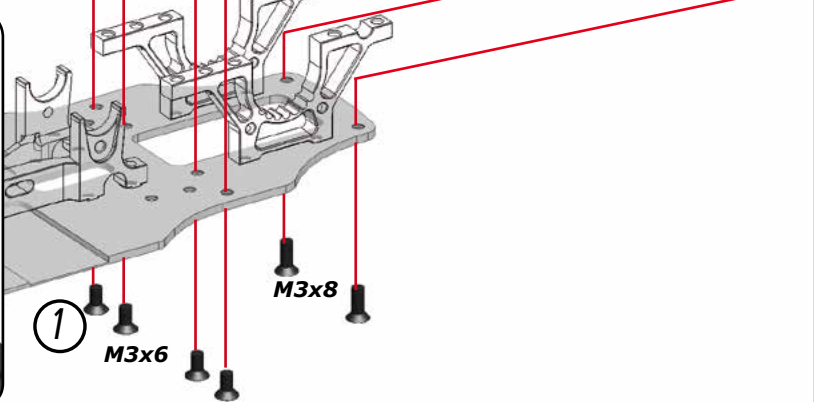
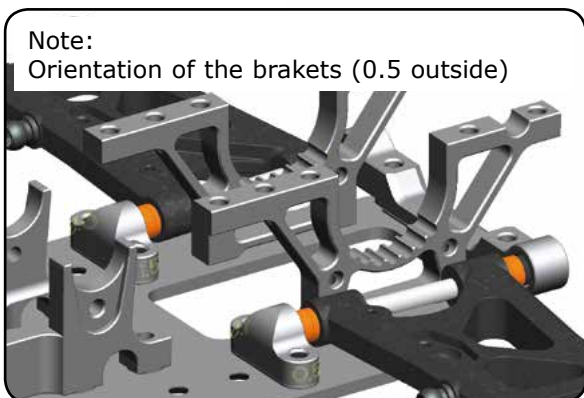
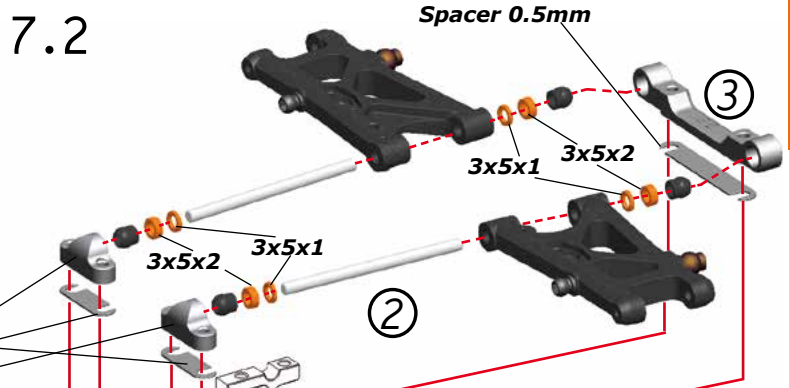
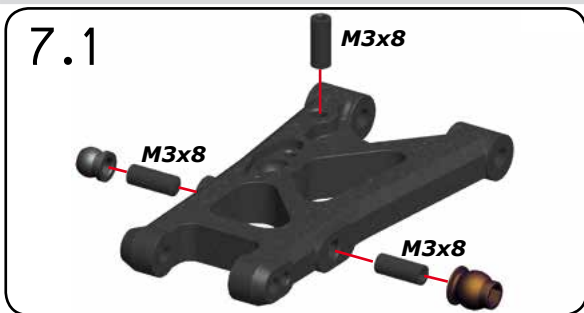
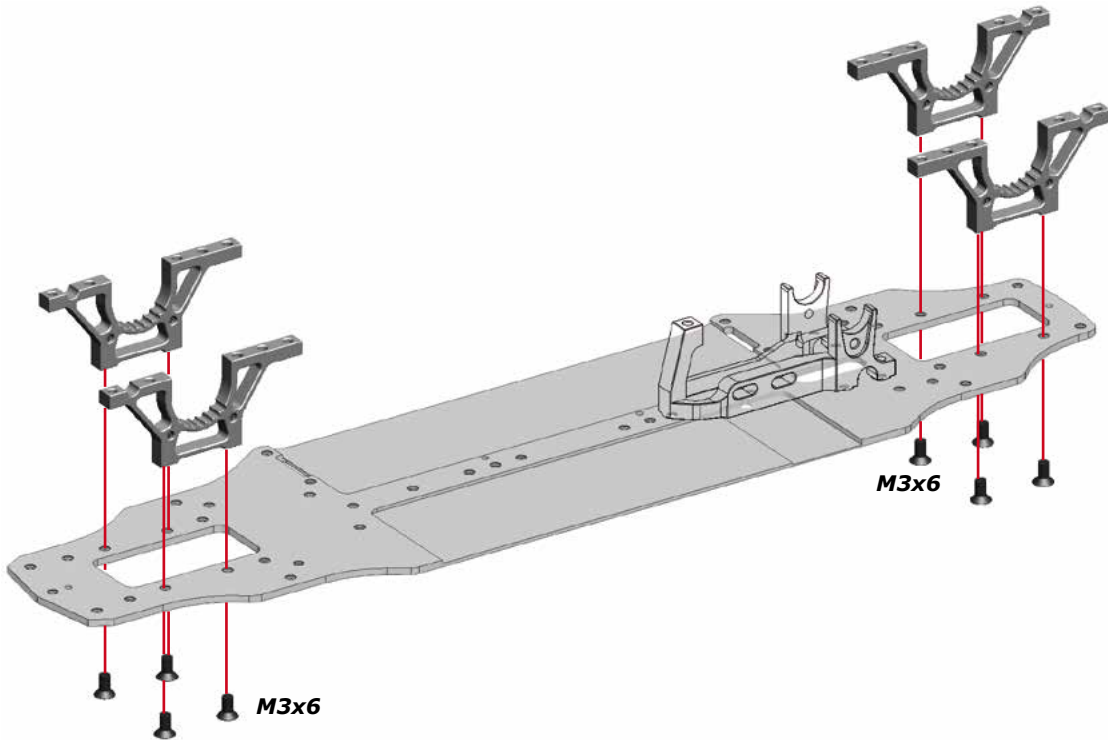
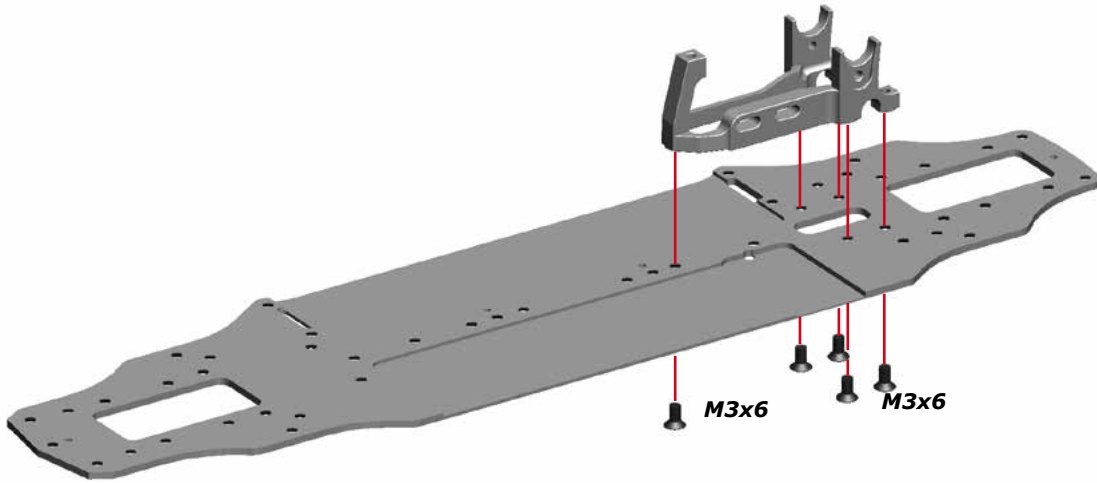


NOTE:
The diff assembled as shown here, should weigh max 11.4 grams

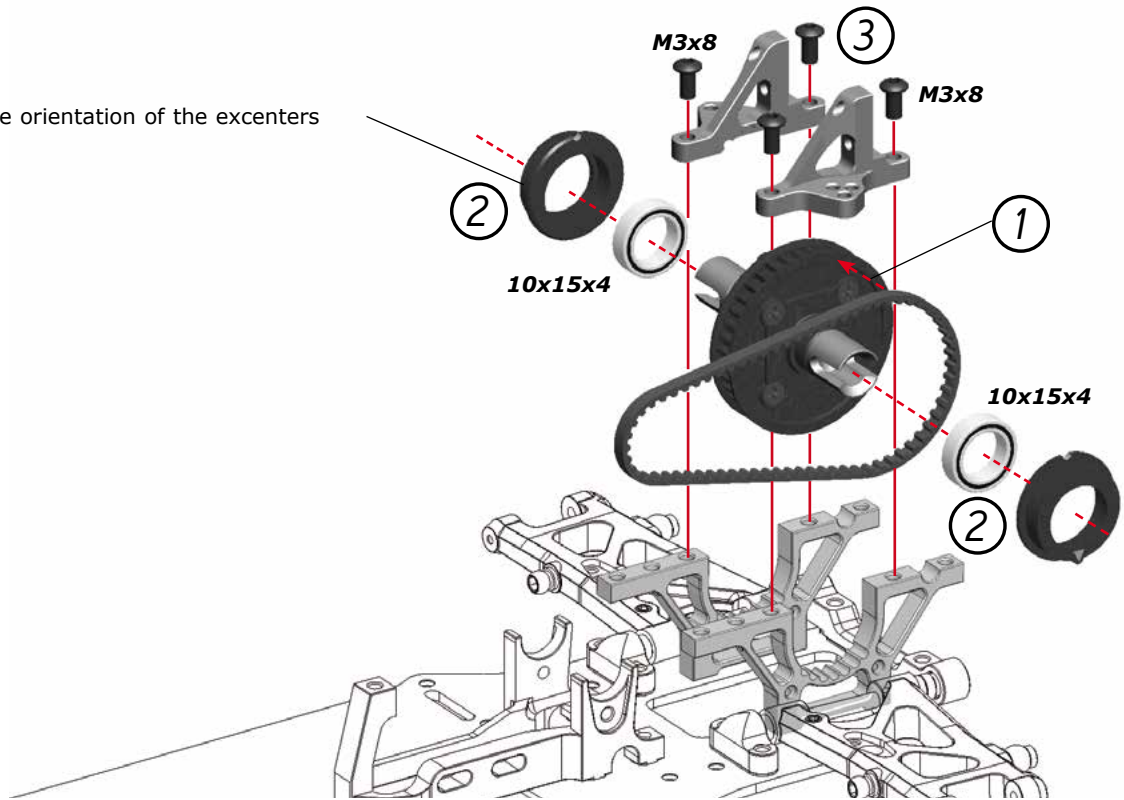
4.2

M2.5x8
wide thread

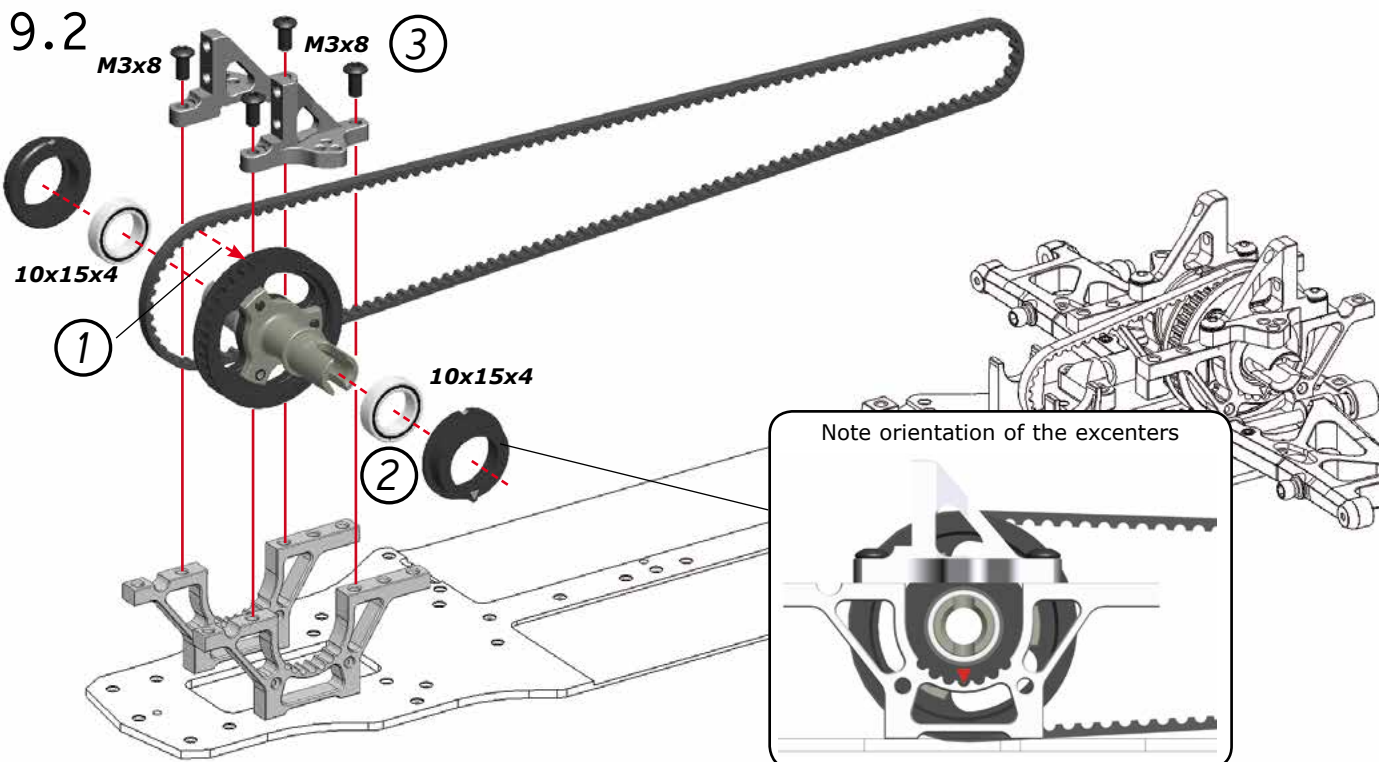
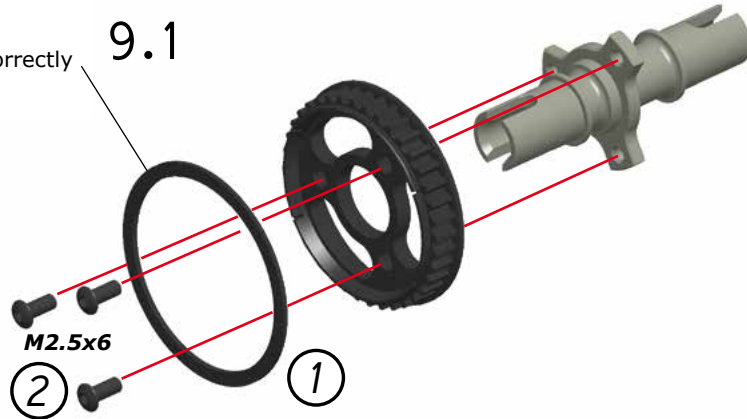




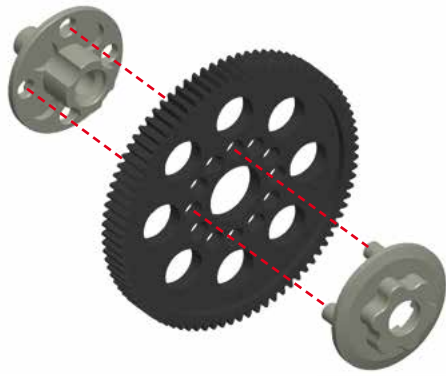
Note orientation of the excenters



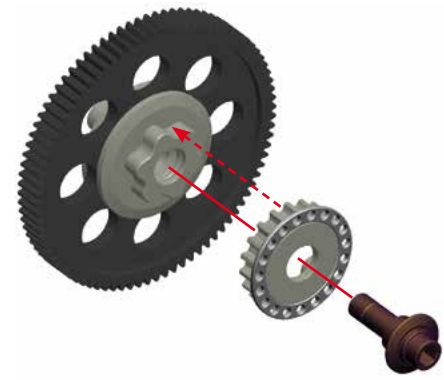
Note:
 1) Mount the gear washer correctly
 2) DON'T use glue



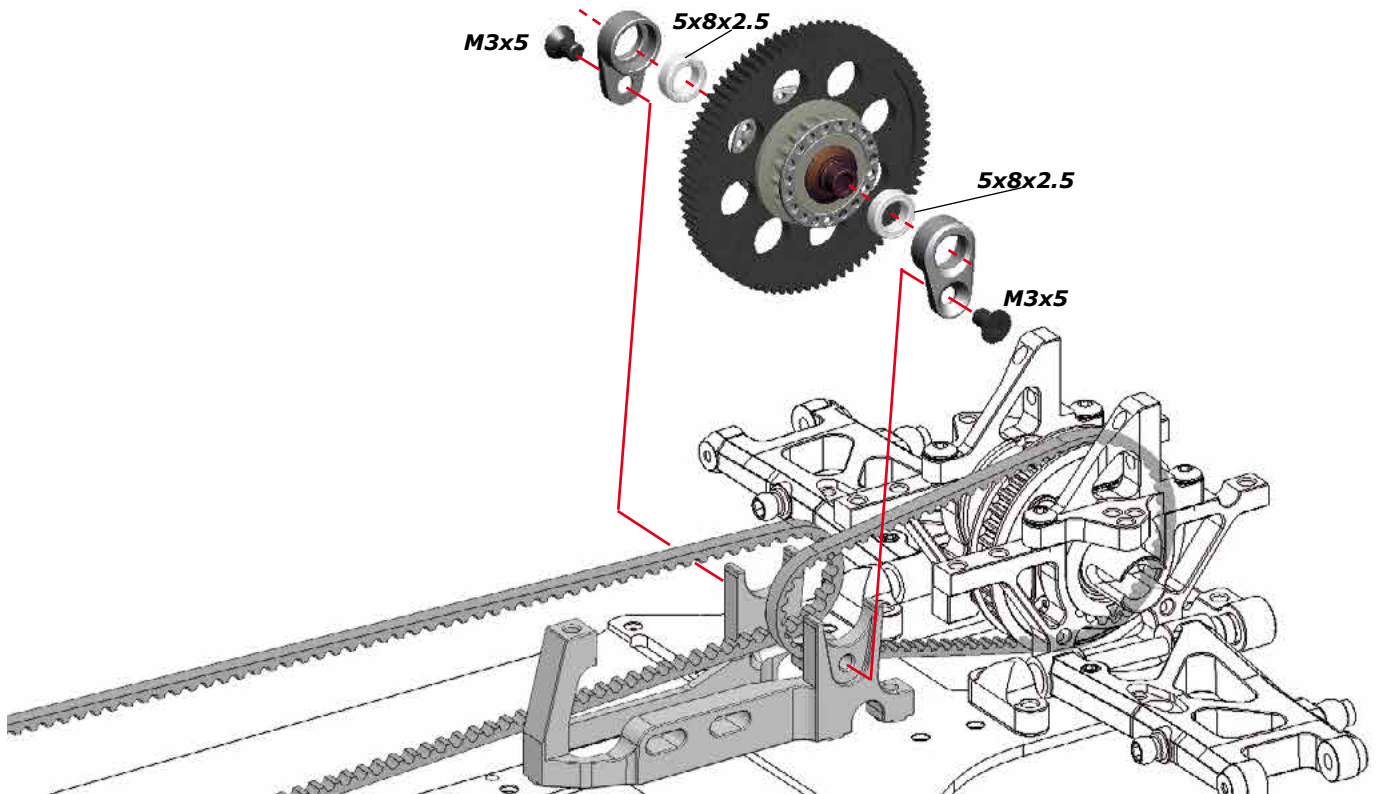
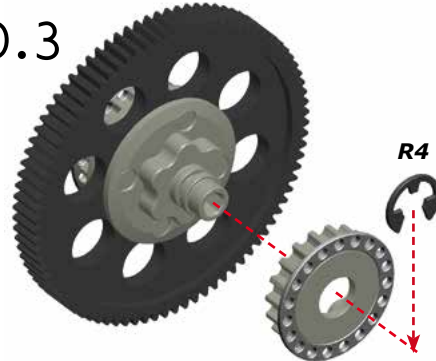
10.1



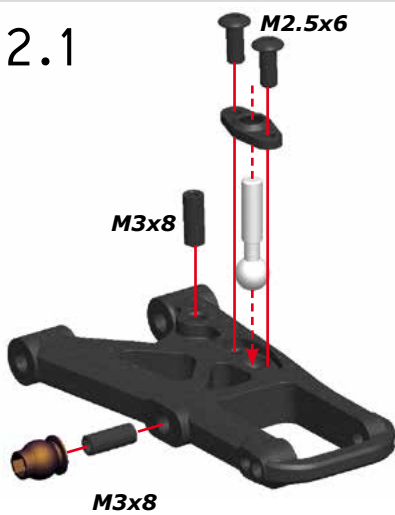
10.2



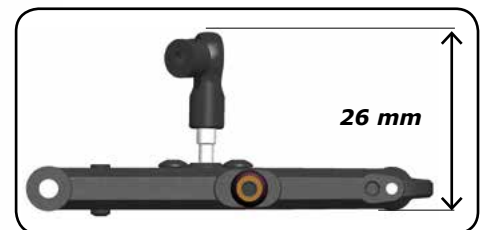
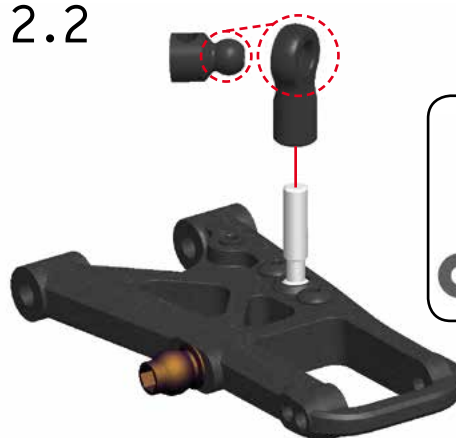
10.3



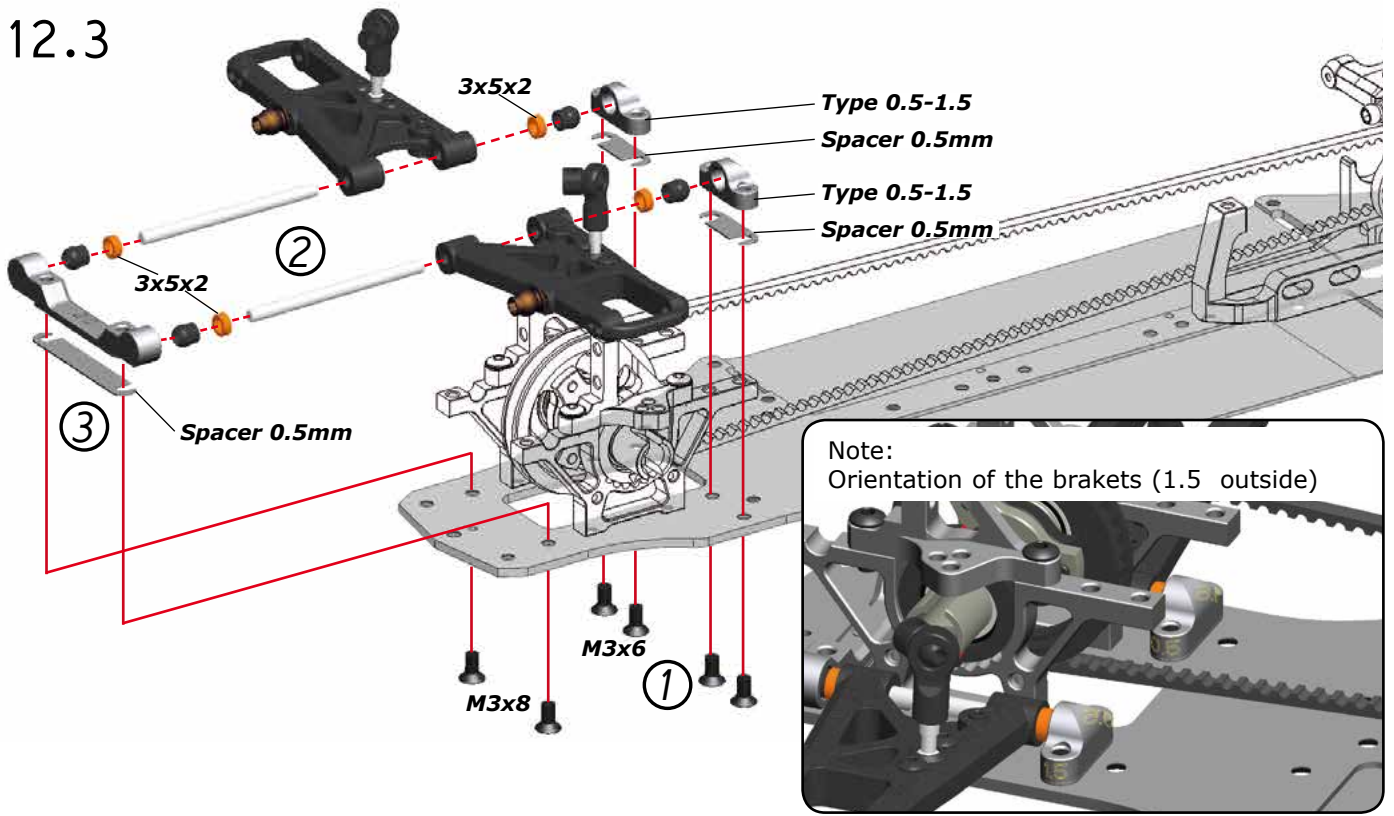
12.1



12.2



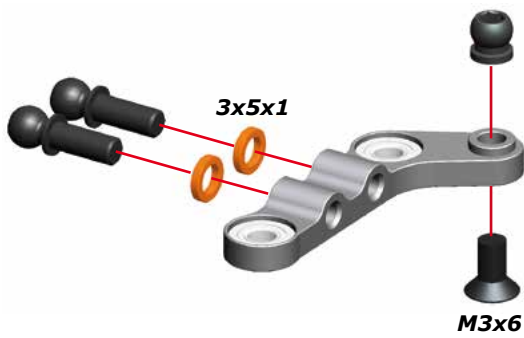
12.3



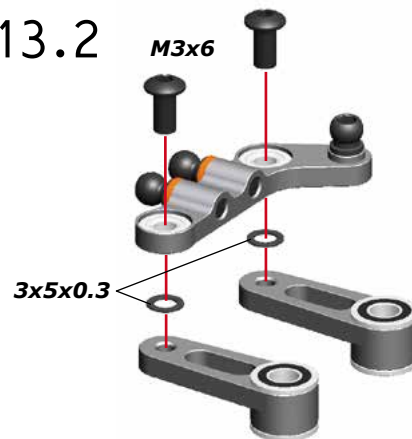
STEP
13

Bag
4

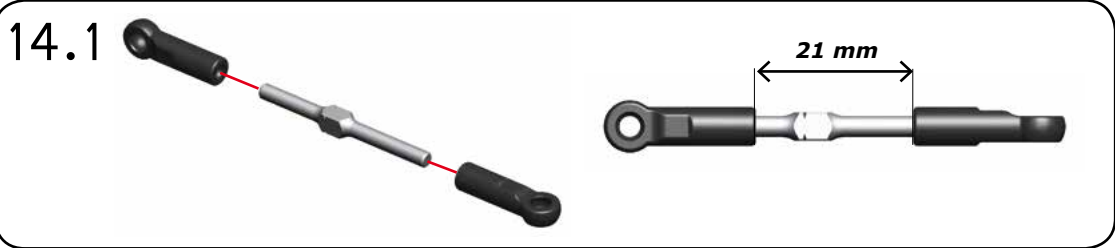
13.1



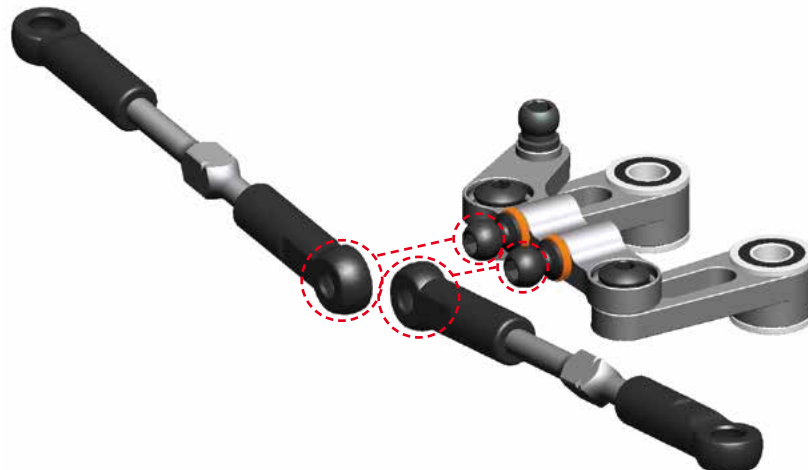
13.2



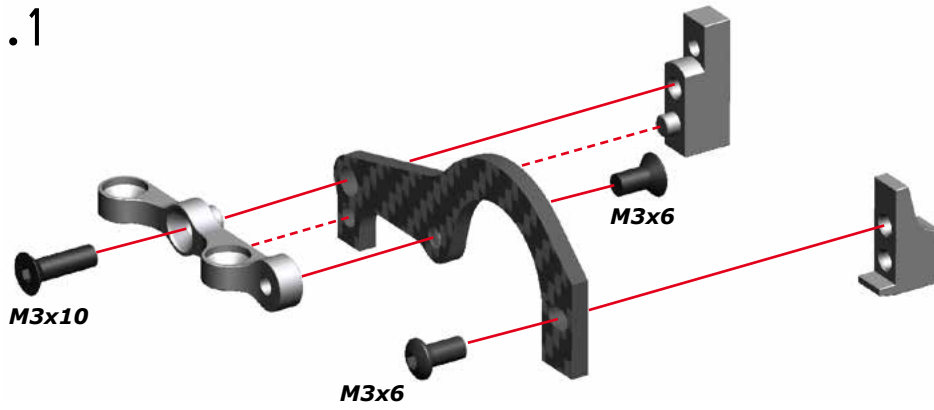
STEP
14



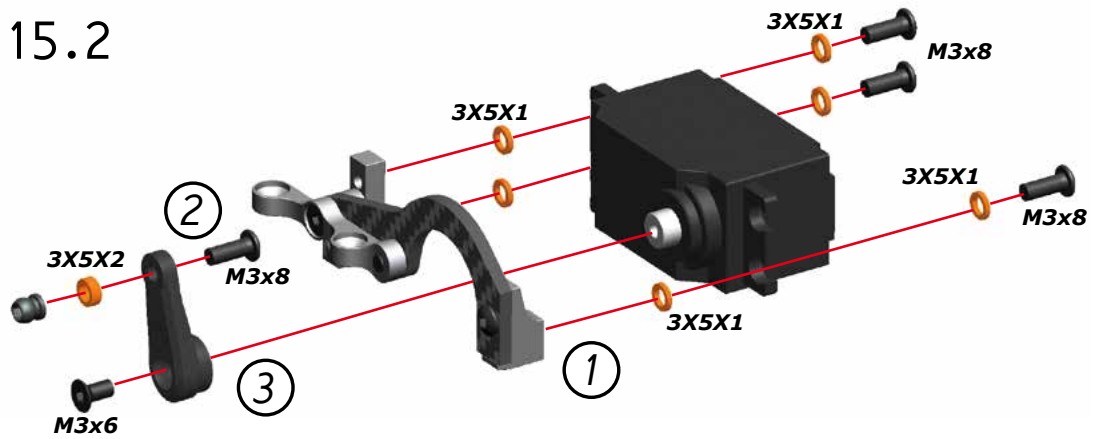
14.2



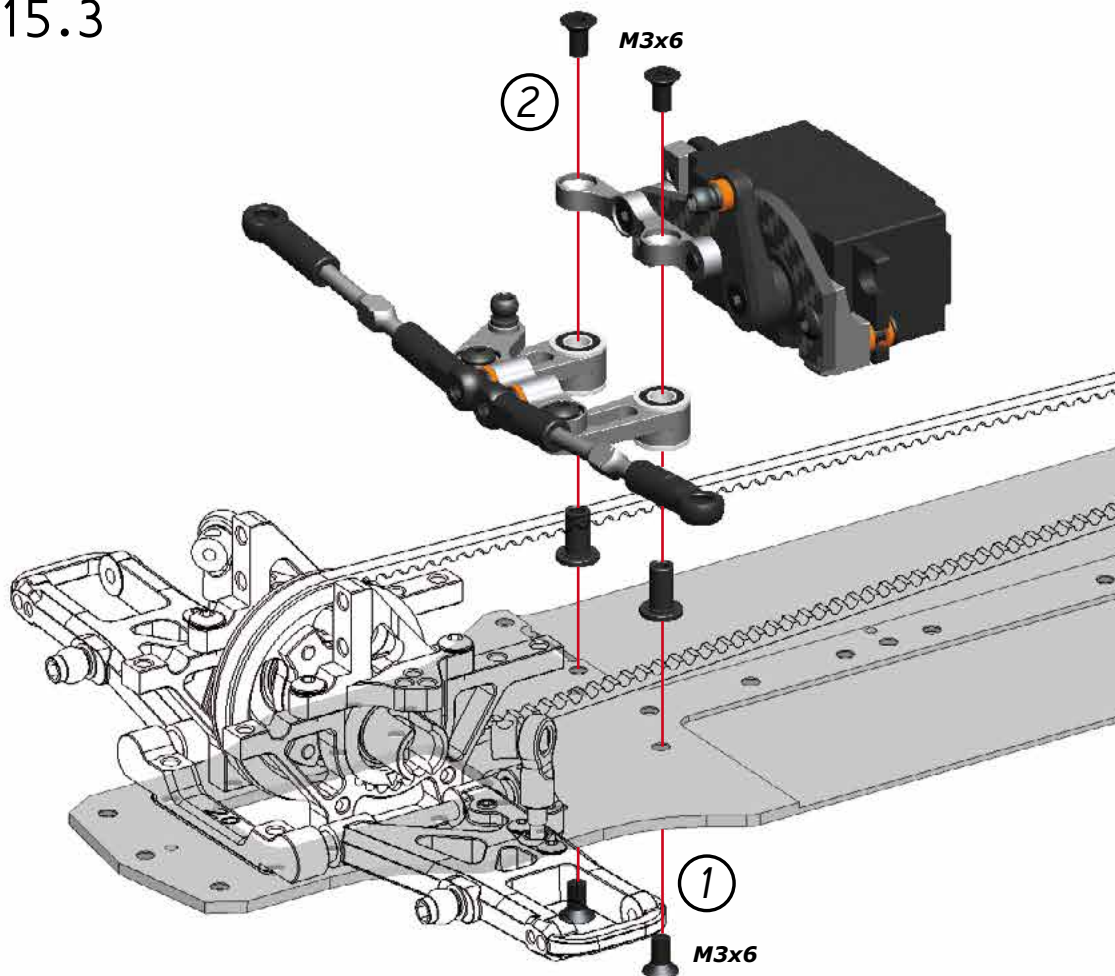
15.1



15.2



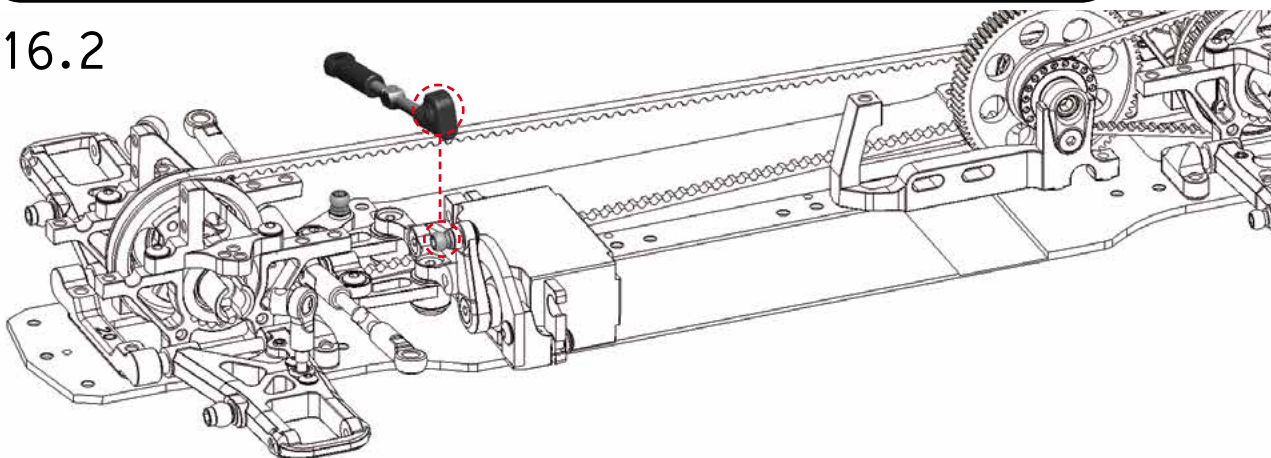
15.3



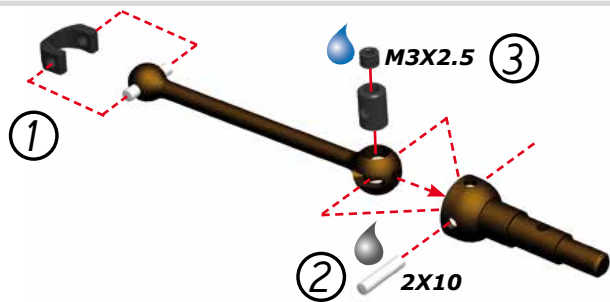
16.1



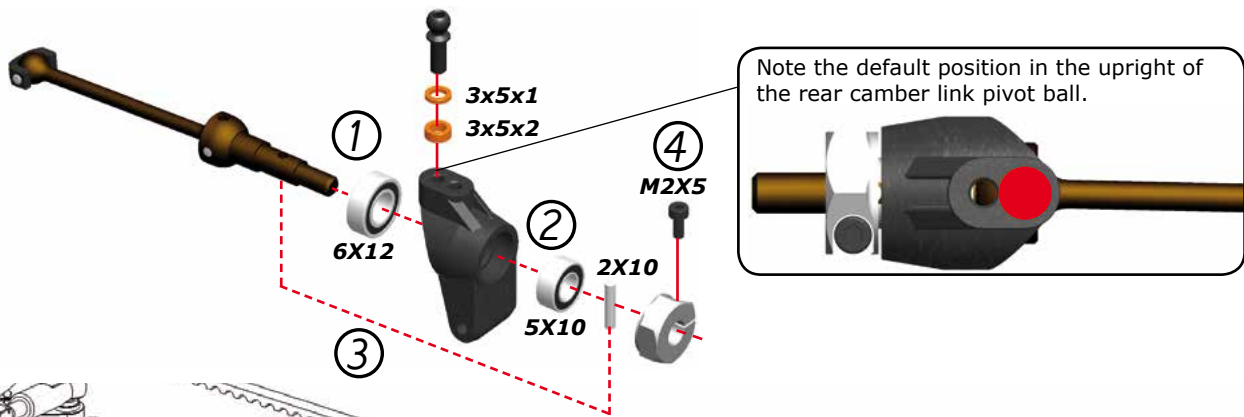
16.2



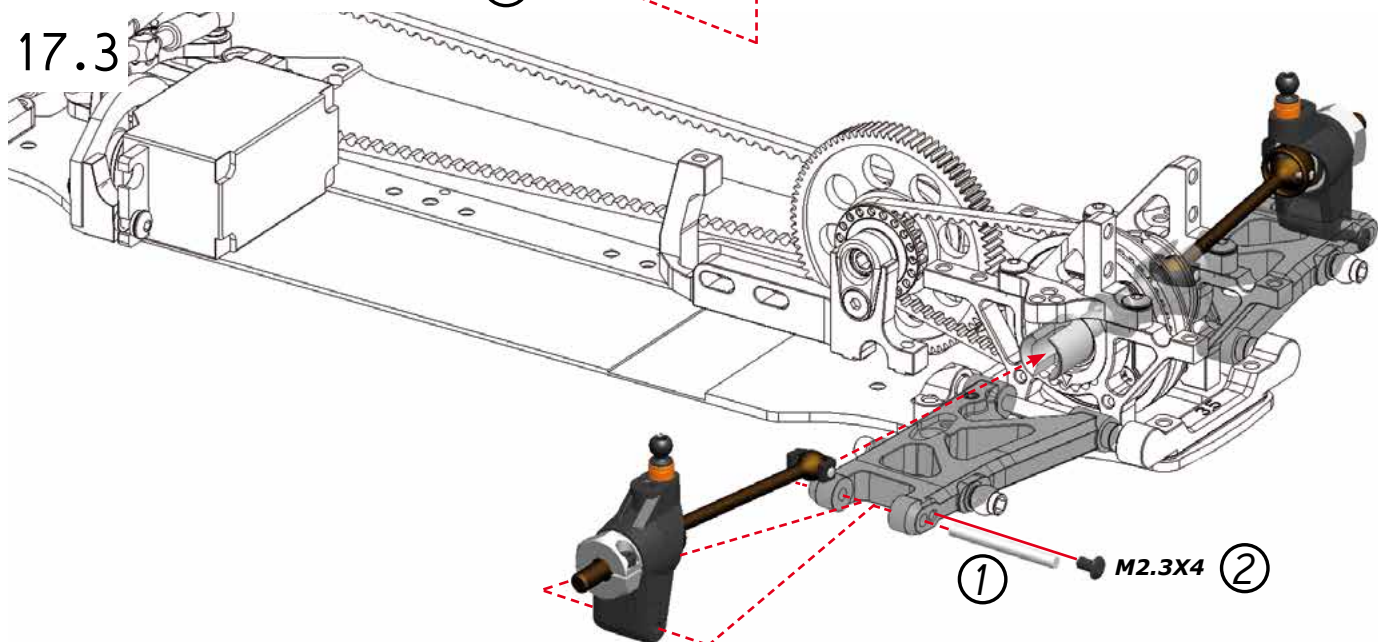
17.1

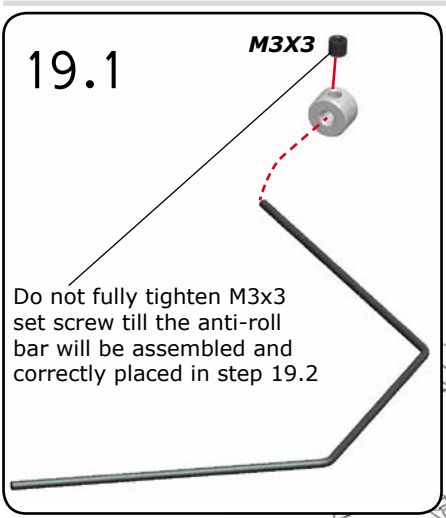
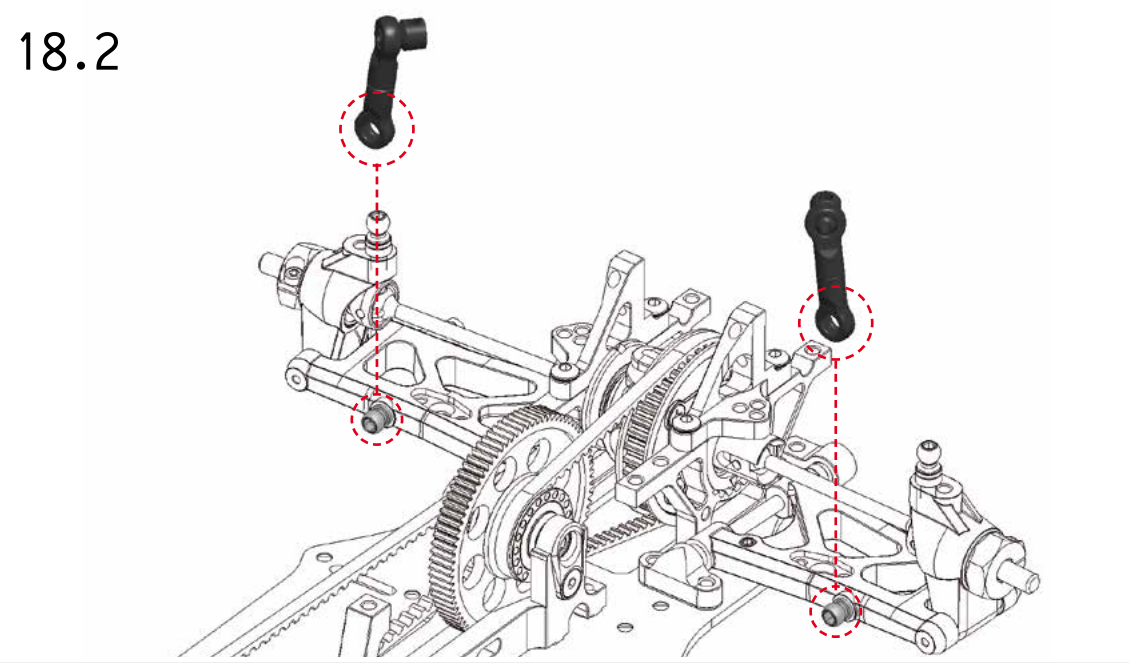


17.2



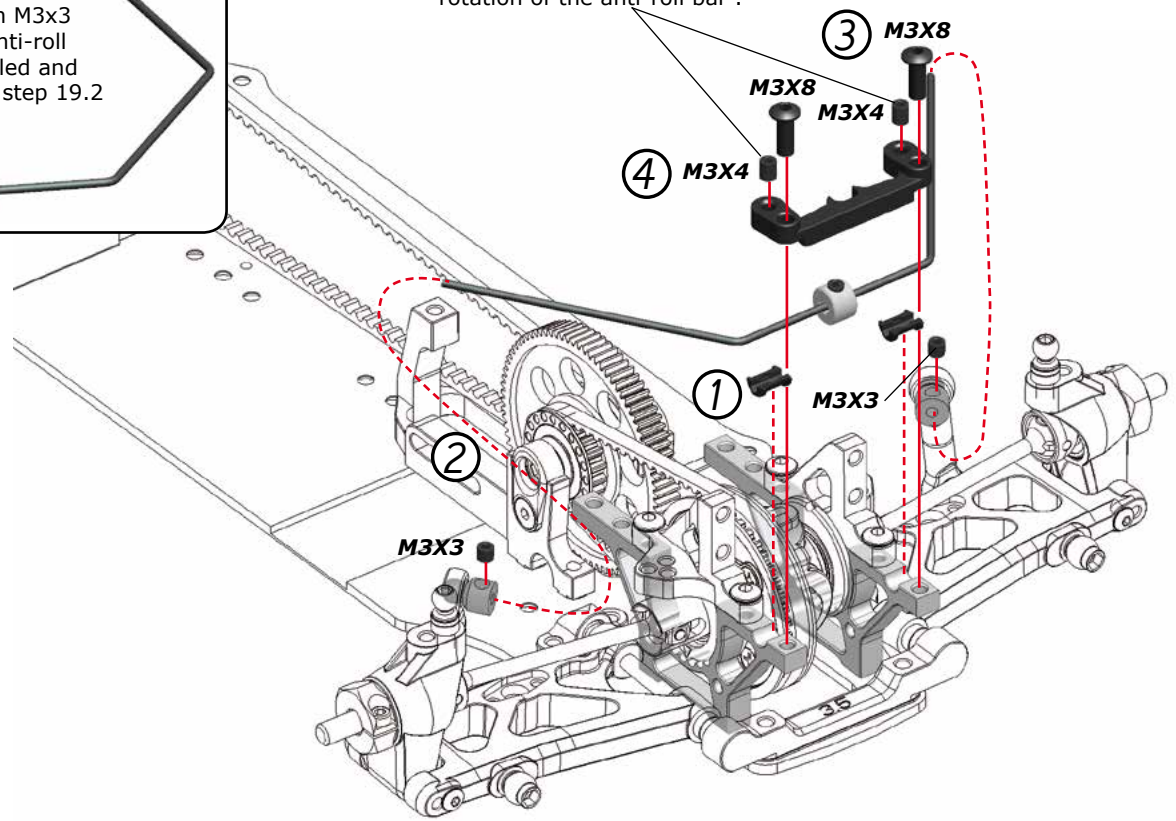
17.3

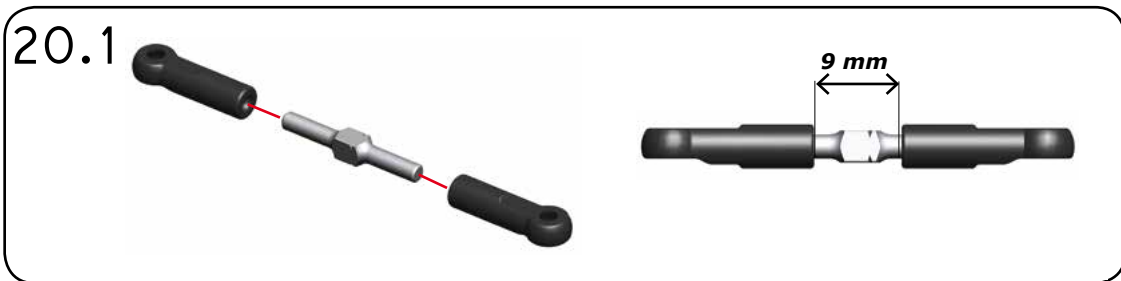




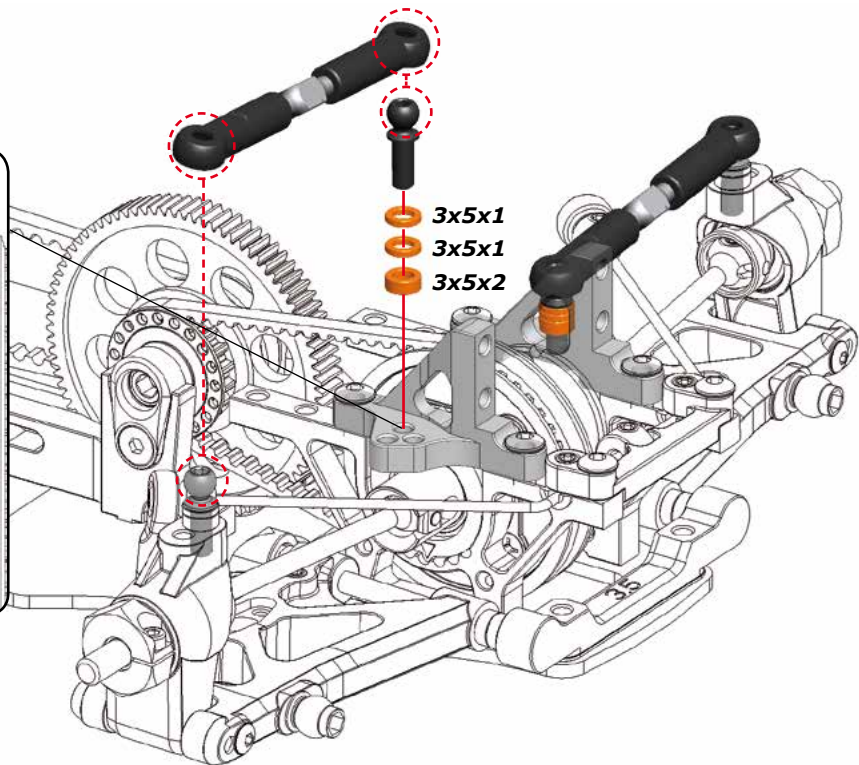
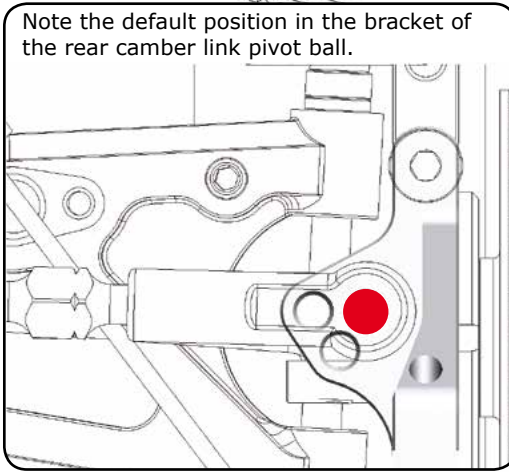
19.2

Do not overtighten M3x4 set screws to keep a free rotation of the anti-roll bar .

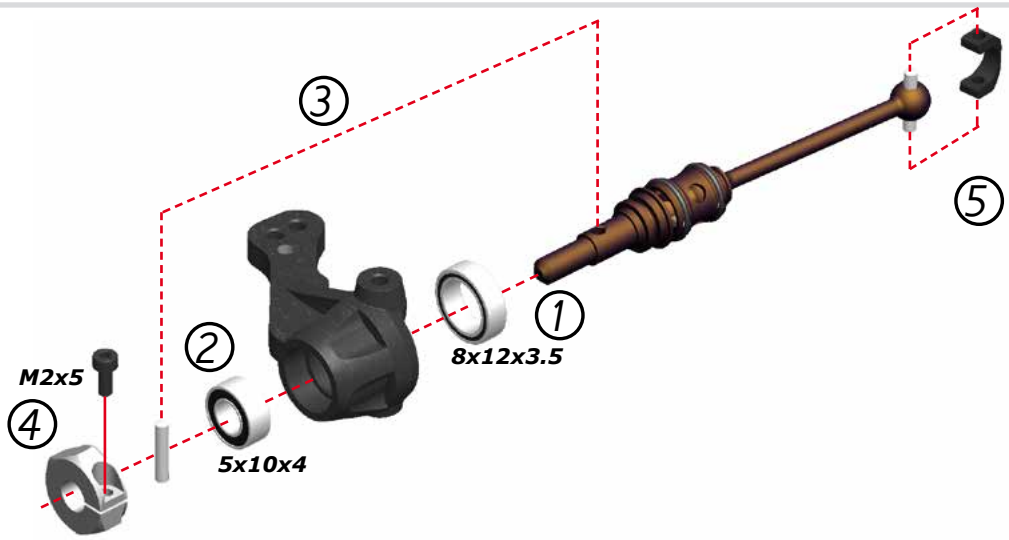
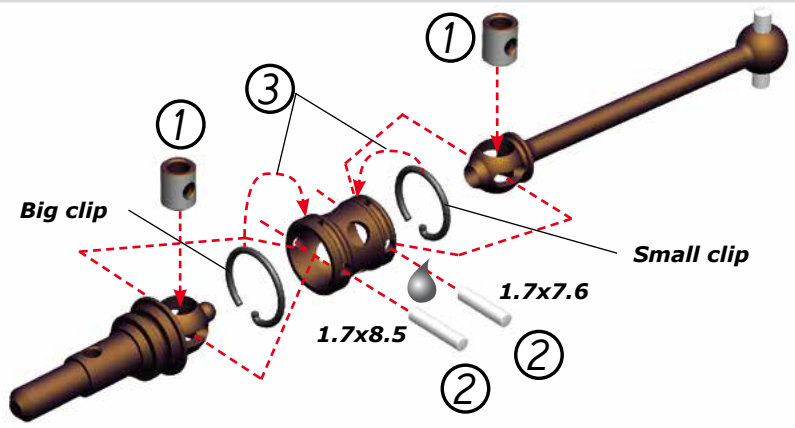




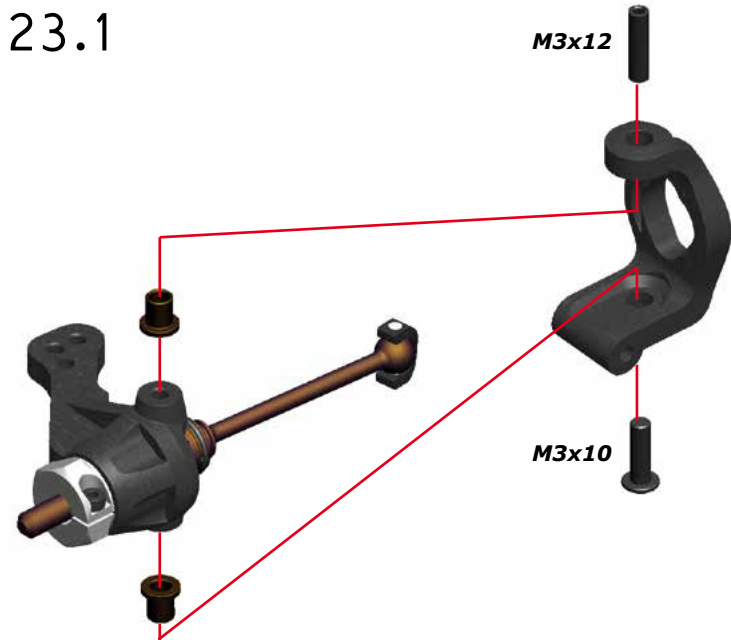
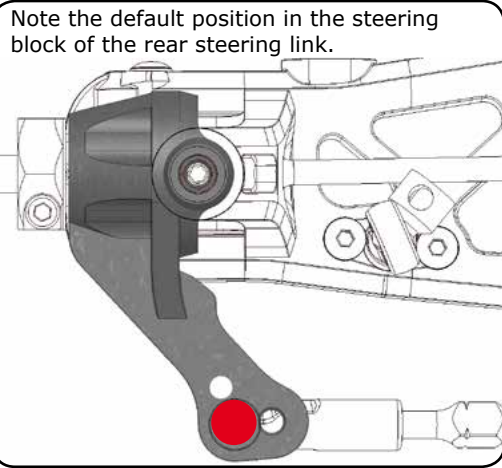
20.2



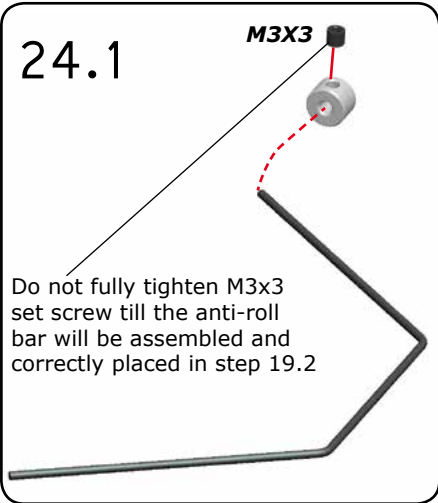
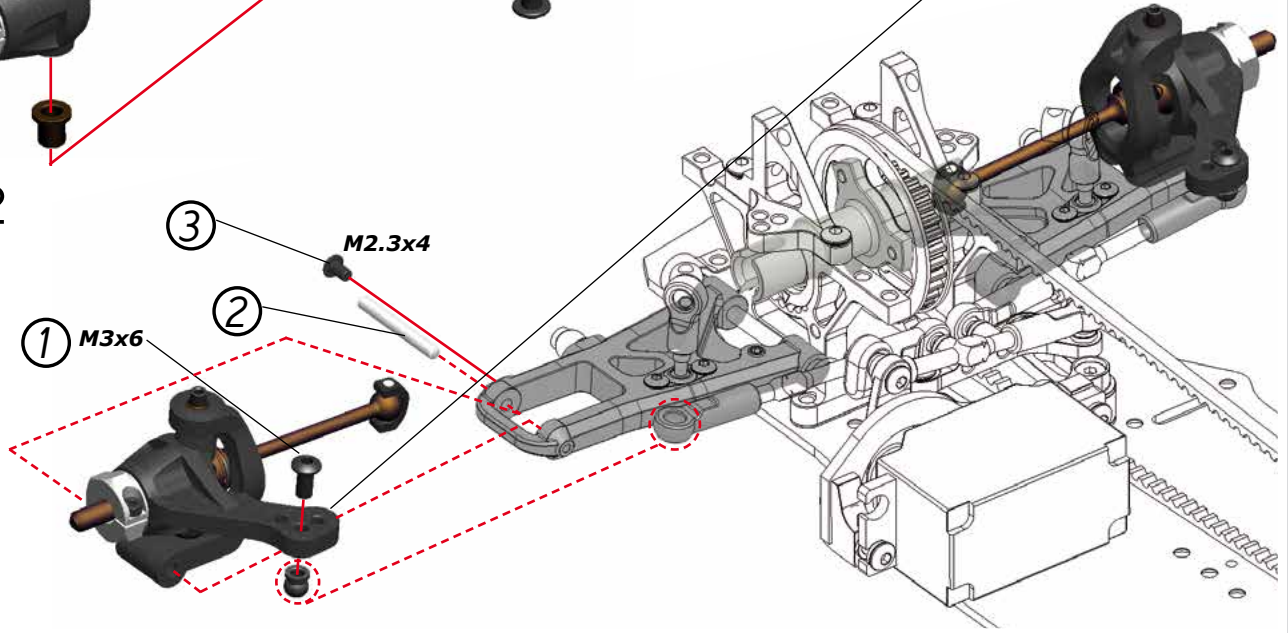
Note:
These double joint cardans come pre-assembled in the kit. Please just keep this step as a reference.



23.1

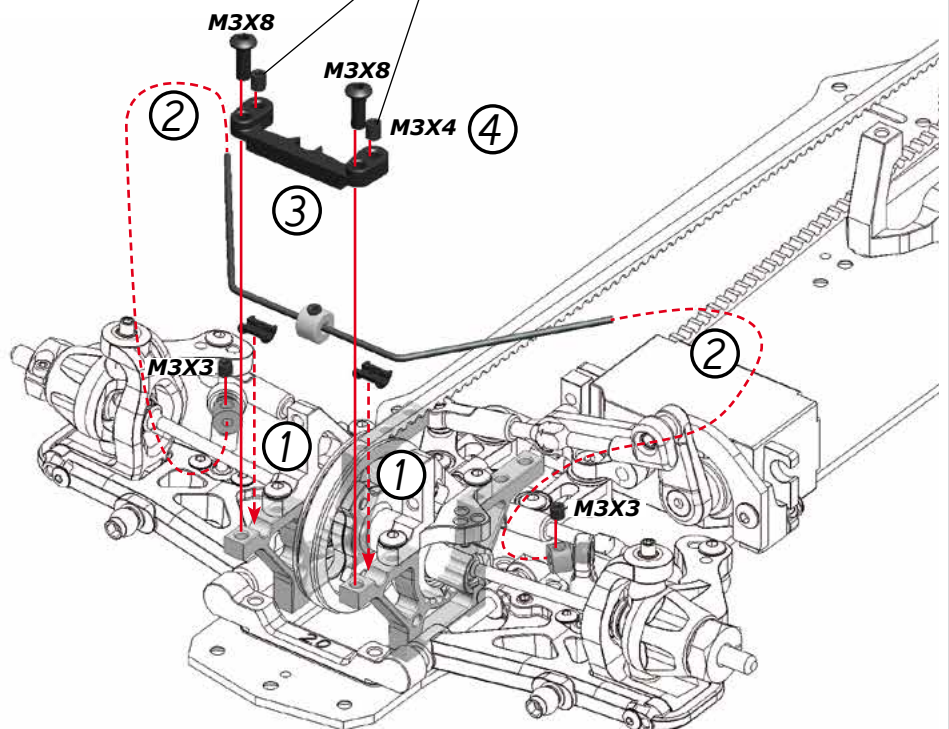


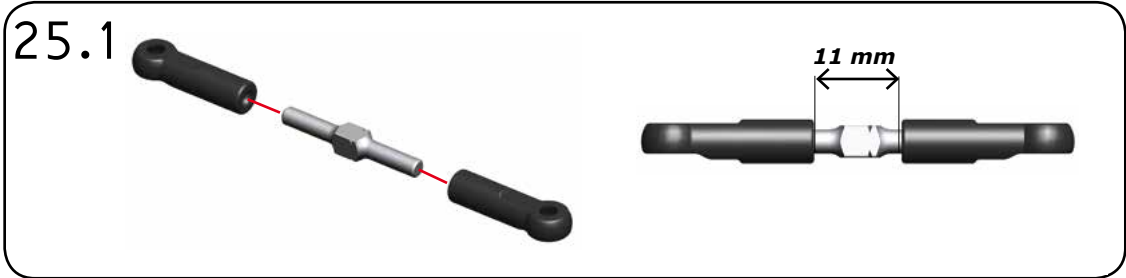
23.2



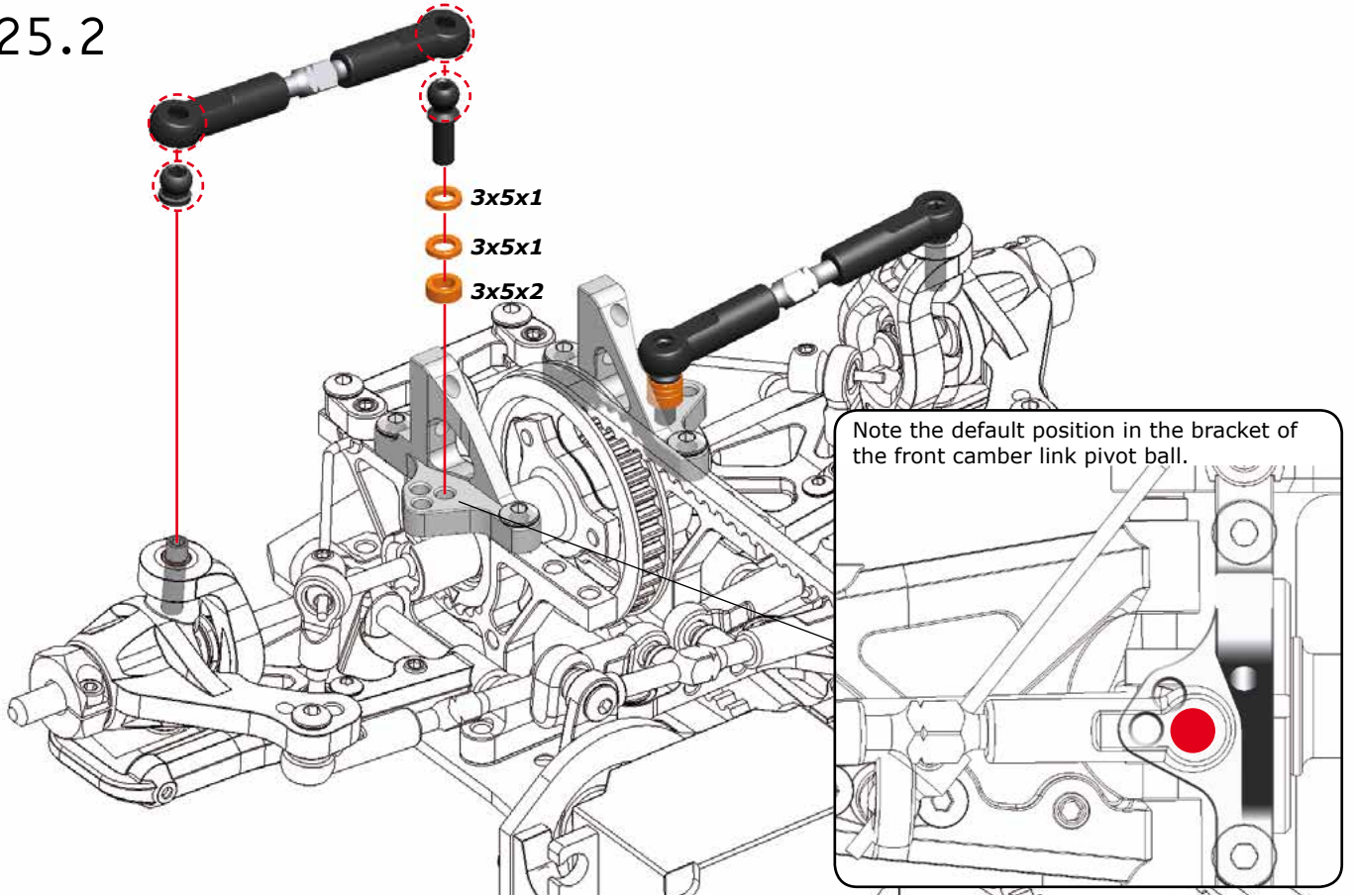
24.2

Do not overtighten M3x4 set screws to keep a free rotation of the anti-roll bar .

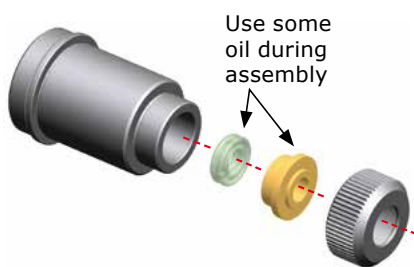




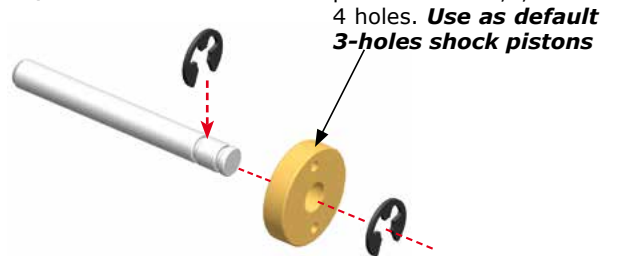
25.2



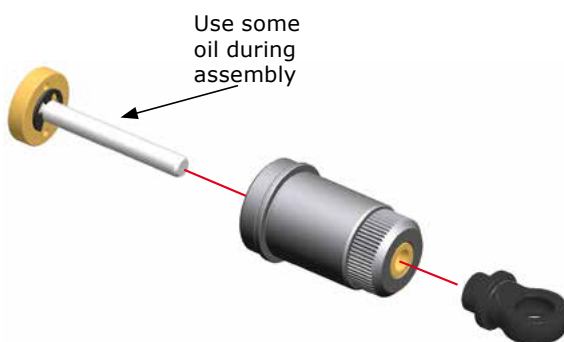
26.1



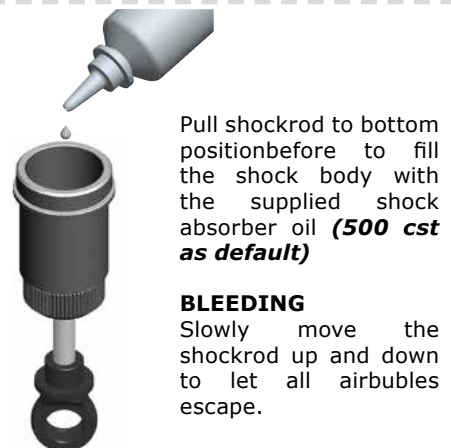
26.2



26.3



26.4



26.5

Close the top of the shock

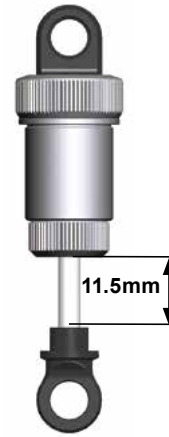


After assembly ensure you can push the piston all the way in (top of balljoint should hit the shock-bottom). If not, re-open the shock and let some oil bleed out, and repeat the steps.

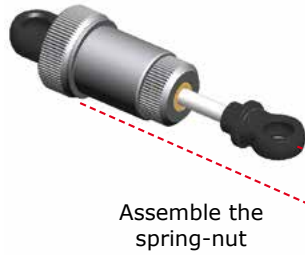
Allow some 'rebound' on the shockshaft, around 4mm is normal.

26.6

Measure fully extended

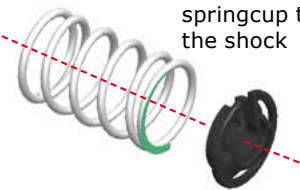


26.7

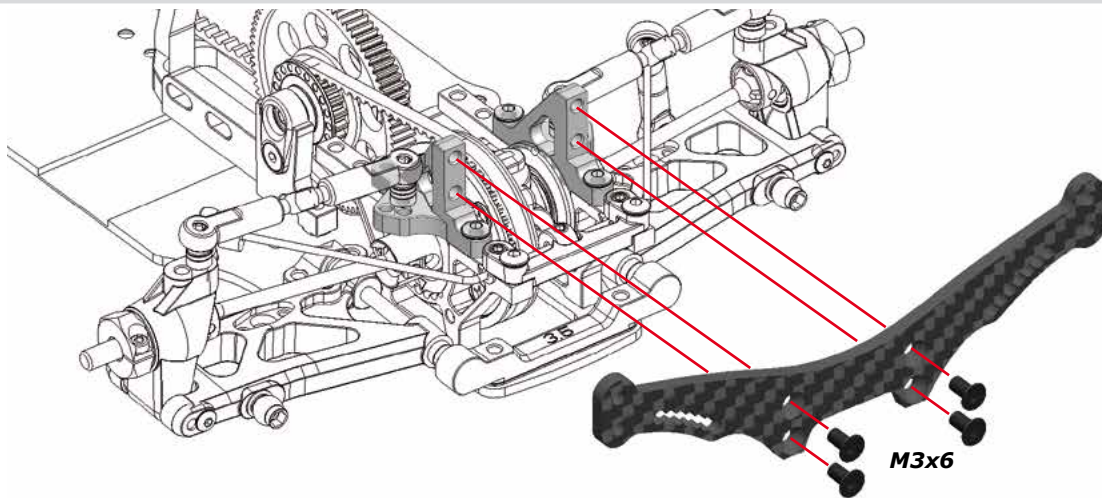


Assemble the spring-nut

Insert the o-ring inside the spring-nut

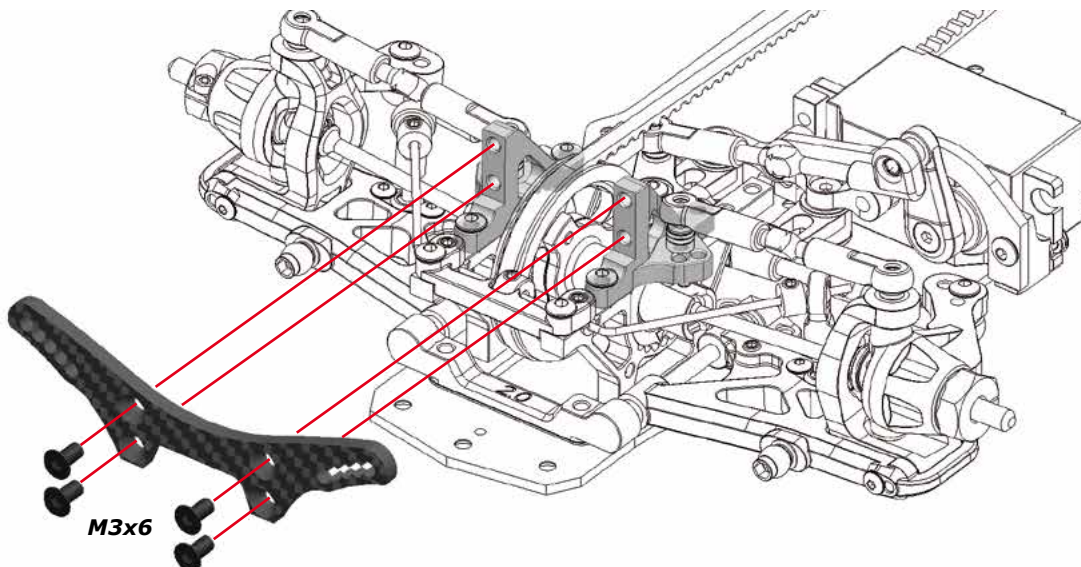


Assemble the spring and springcup to complete the shock



STEP 27

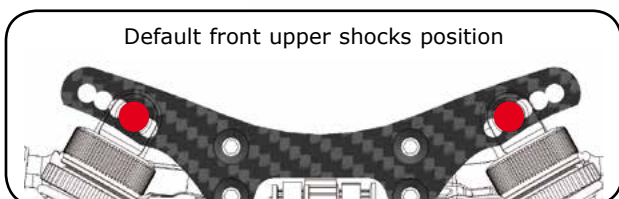
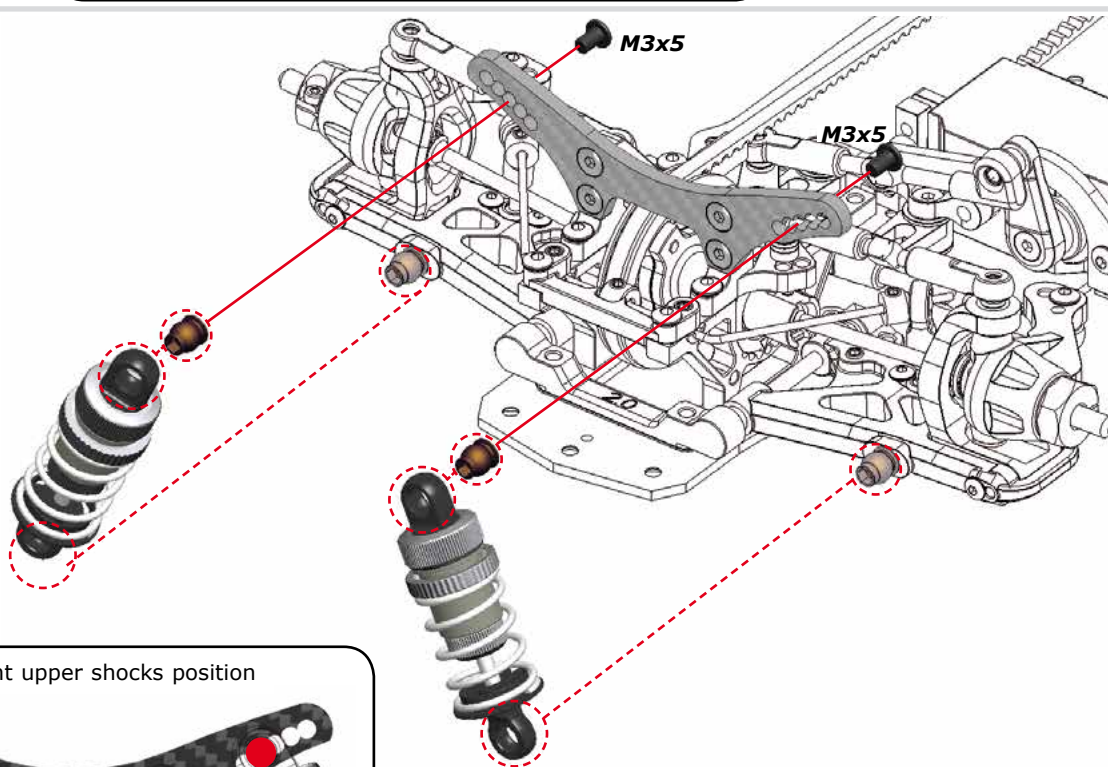
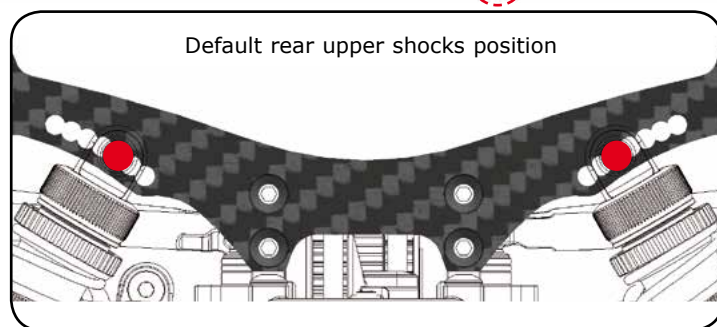
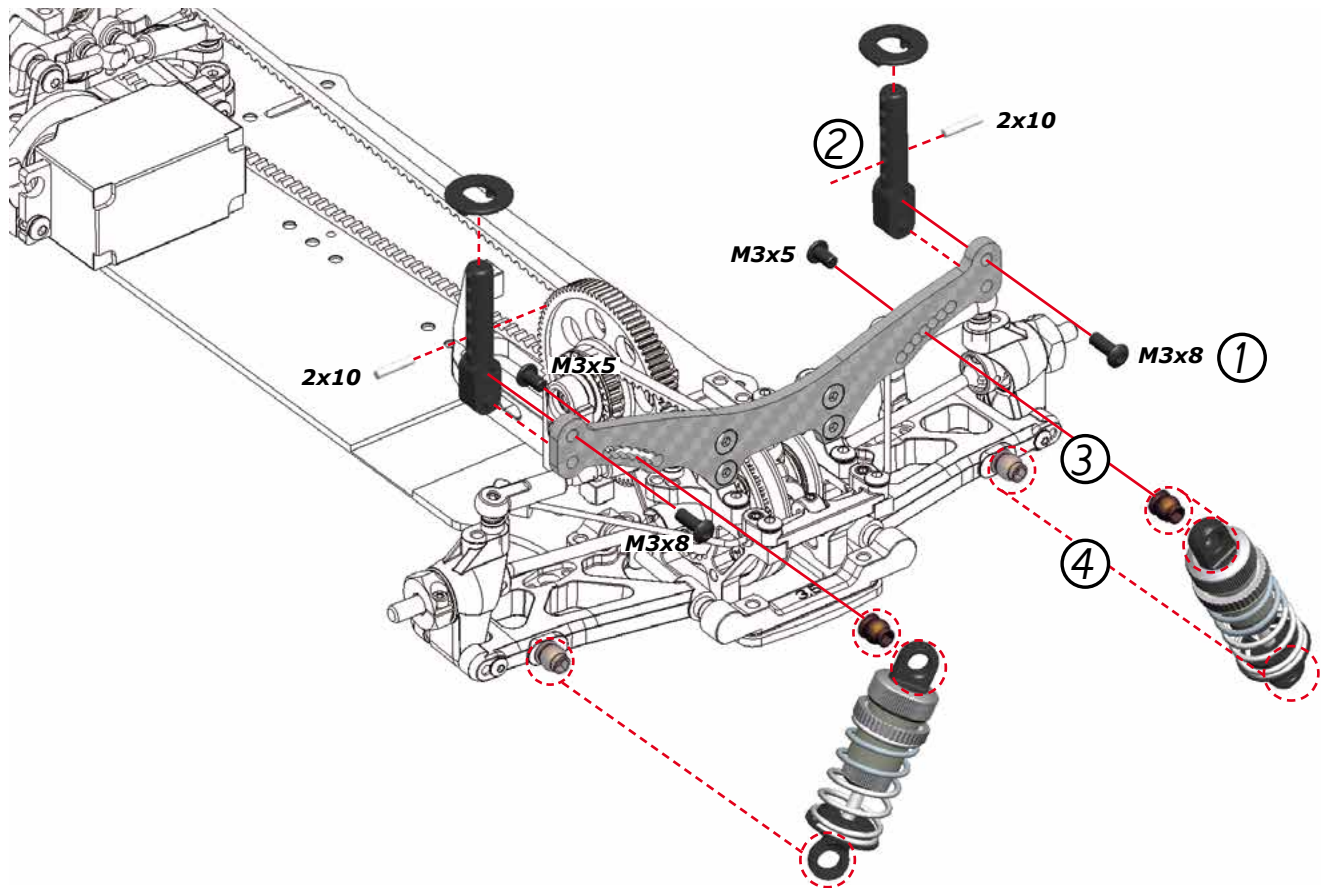
Bag 7

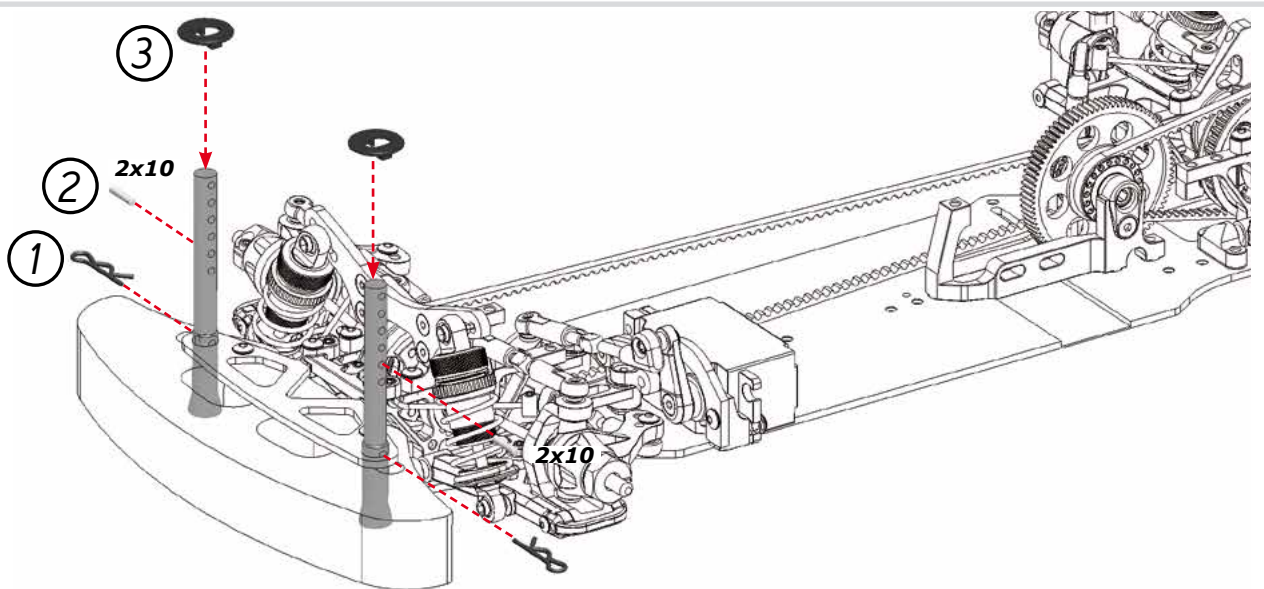
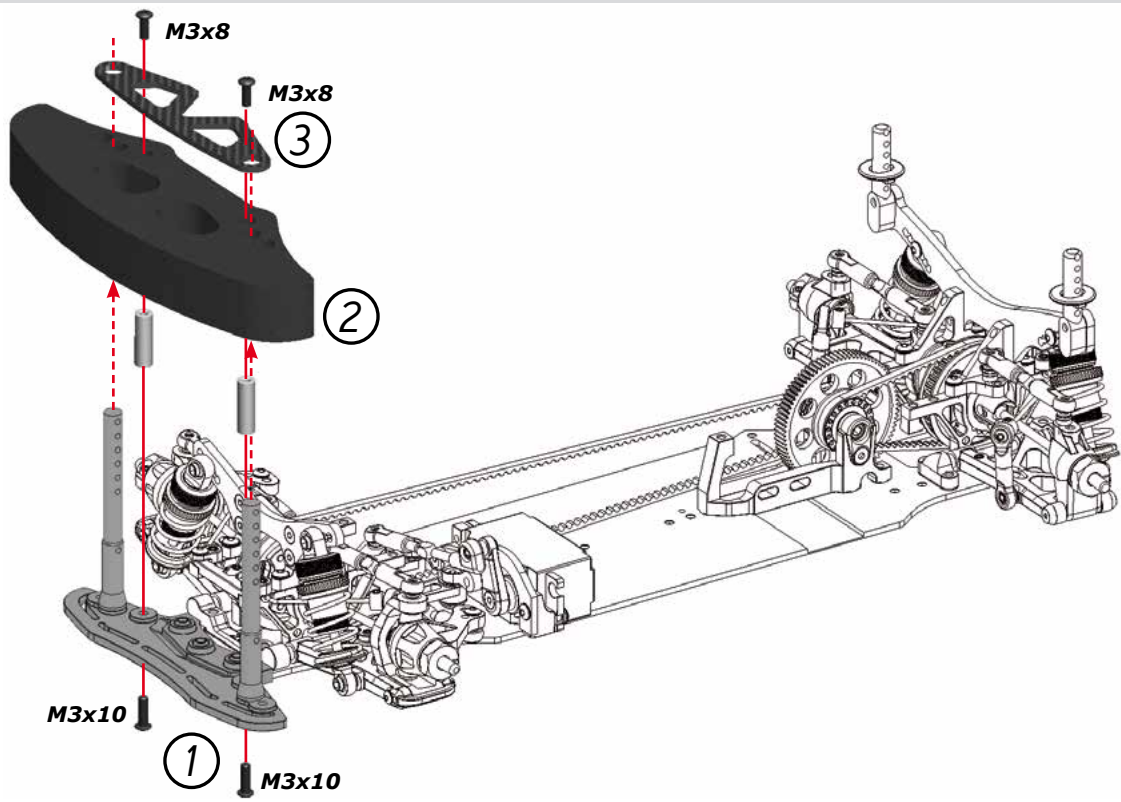
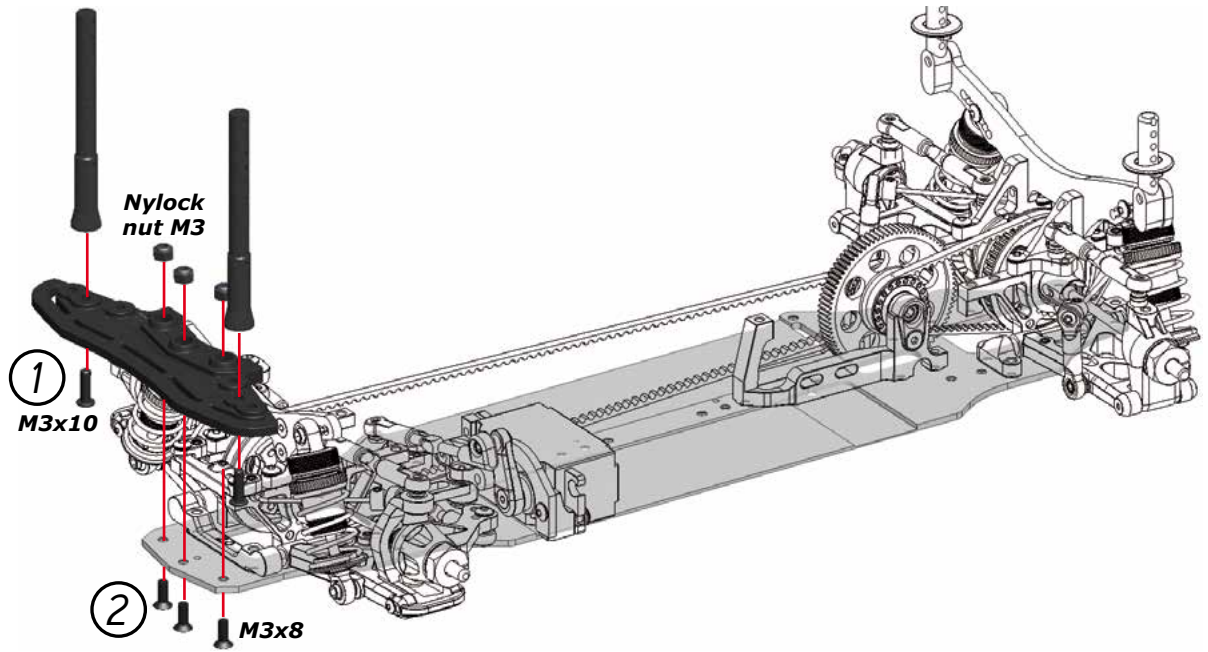


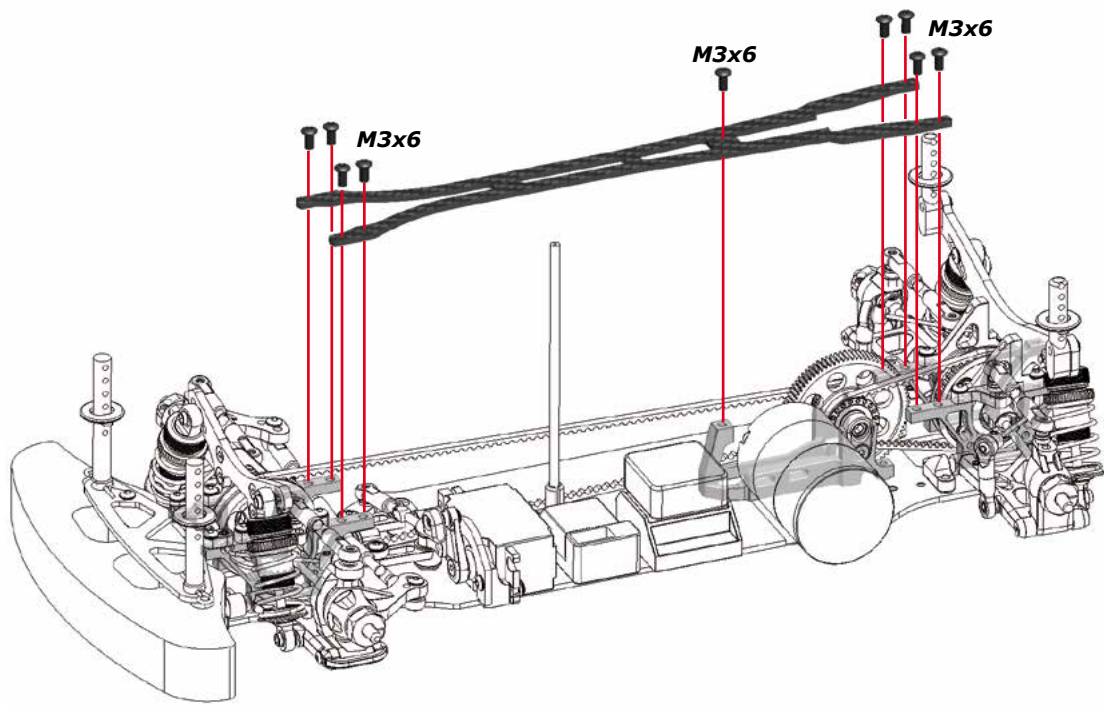
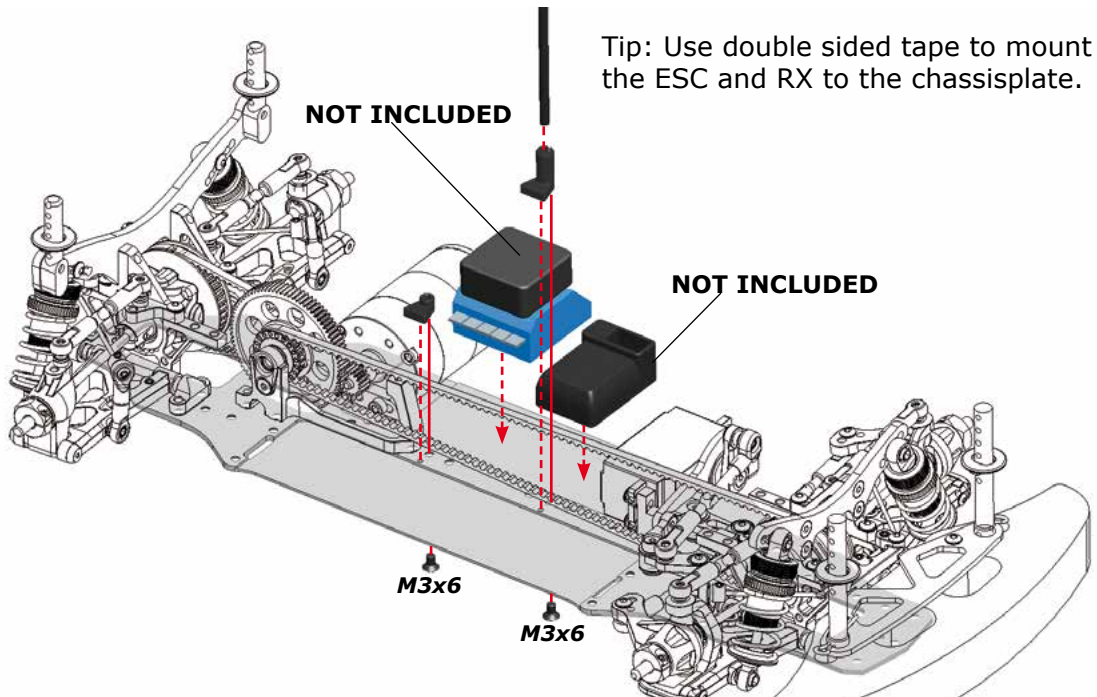
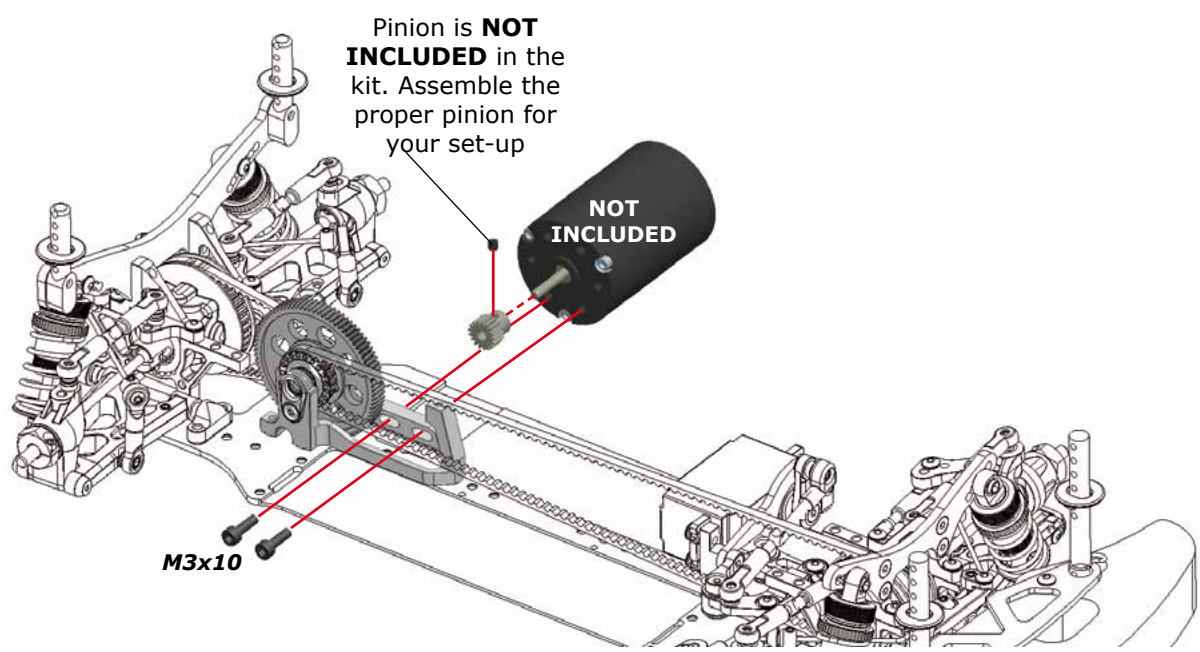
STEP 28



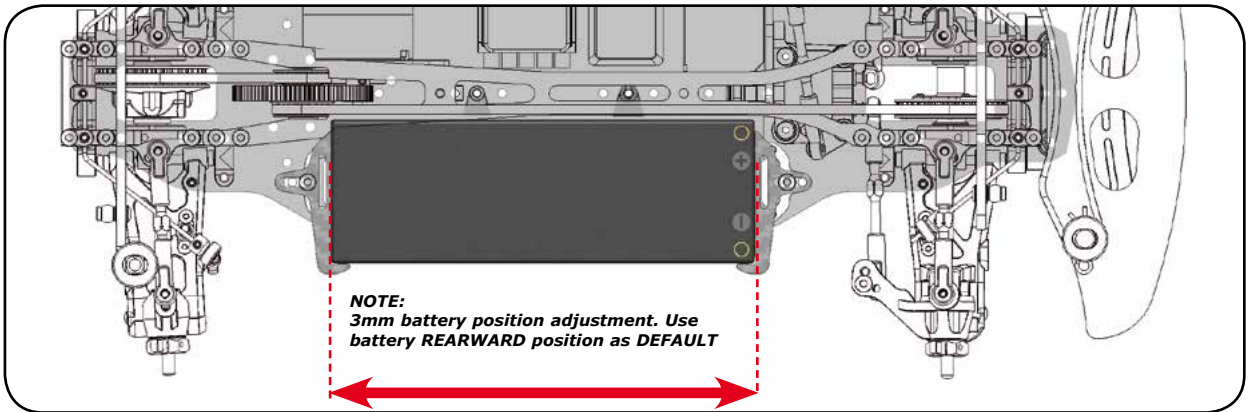
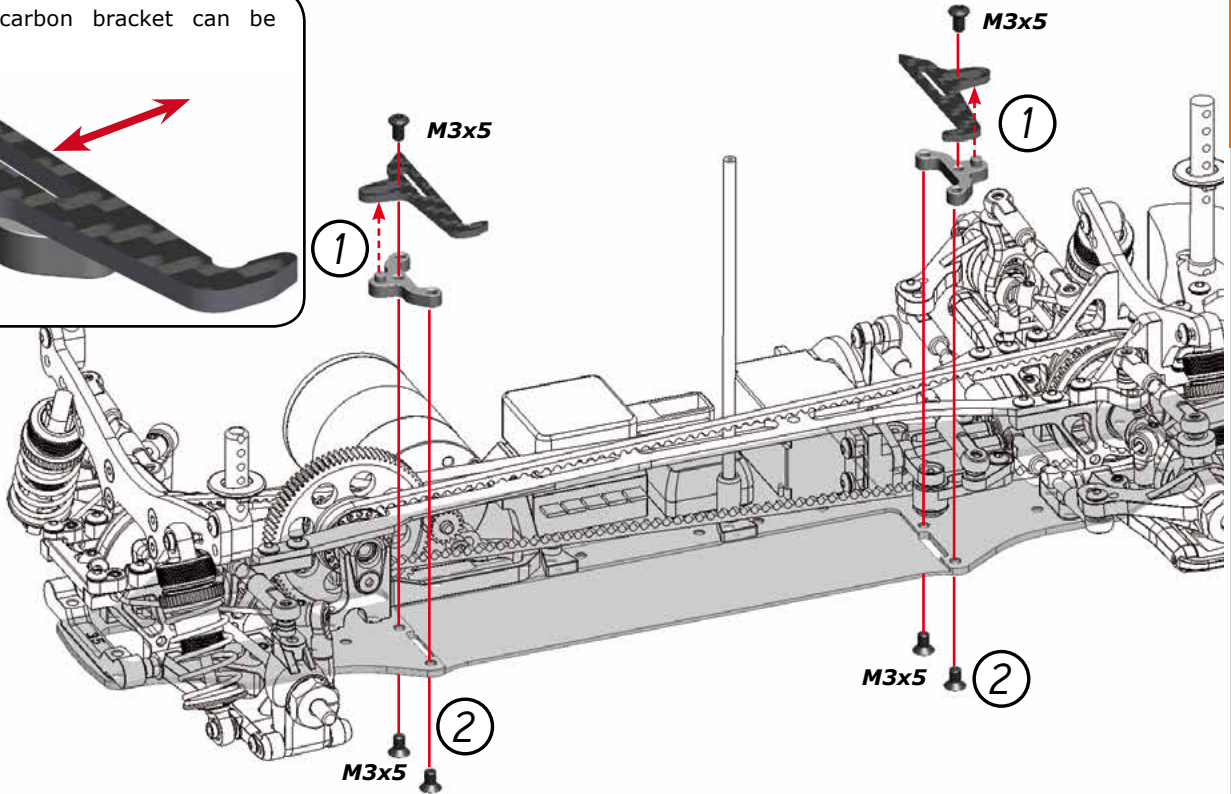
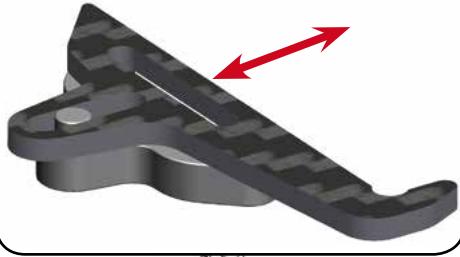
Page 15



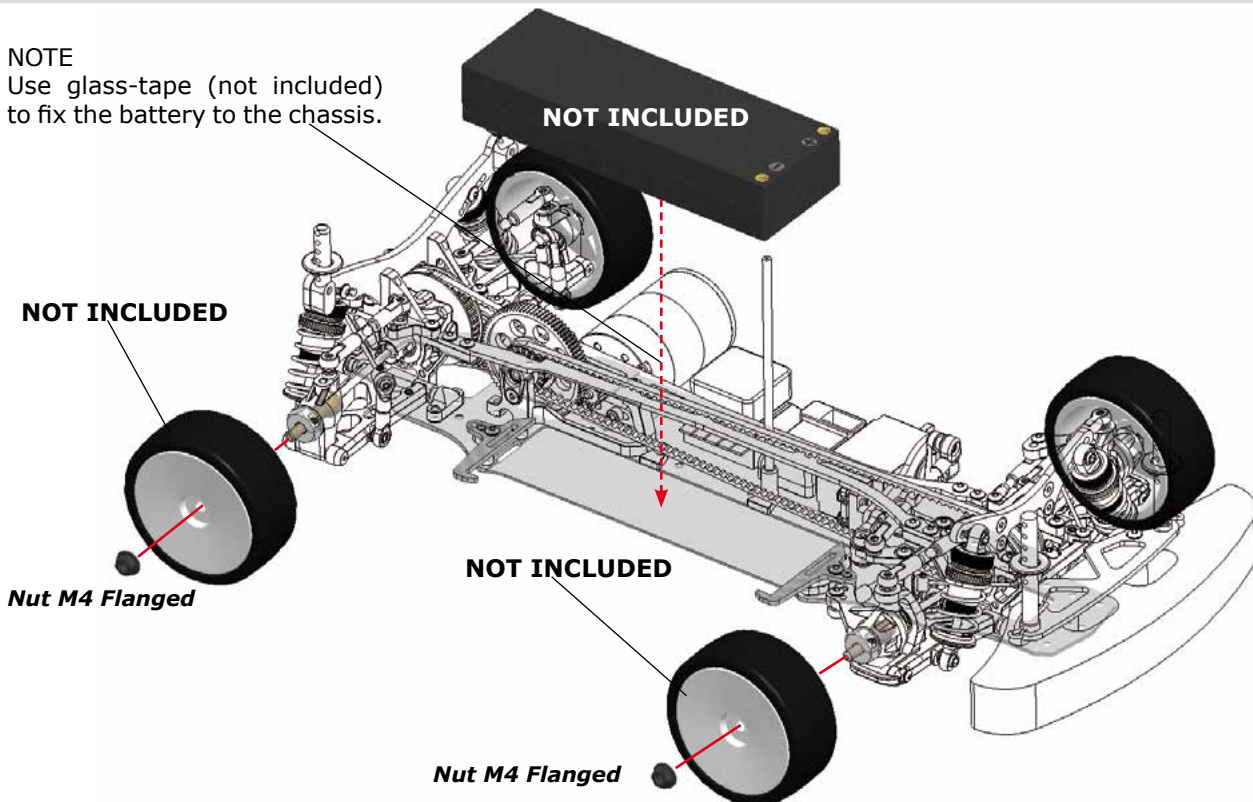




Note: The carbon bracket can be moved 3mm



NOTE
Use glass-tape (not included)
to fix the battery to the chassis.

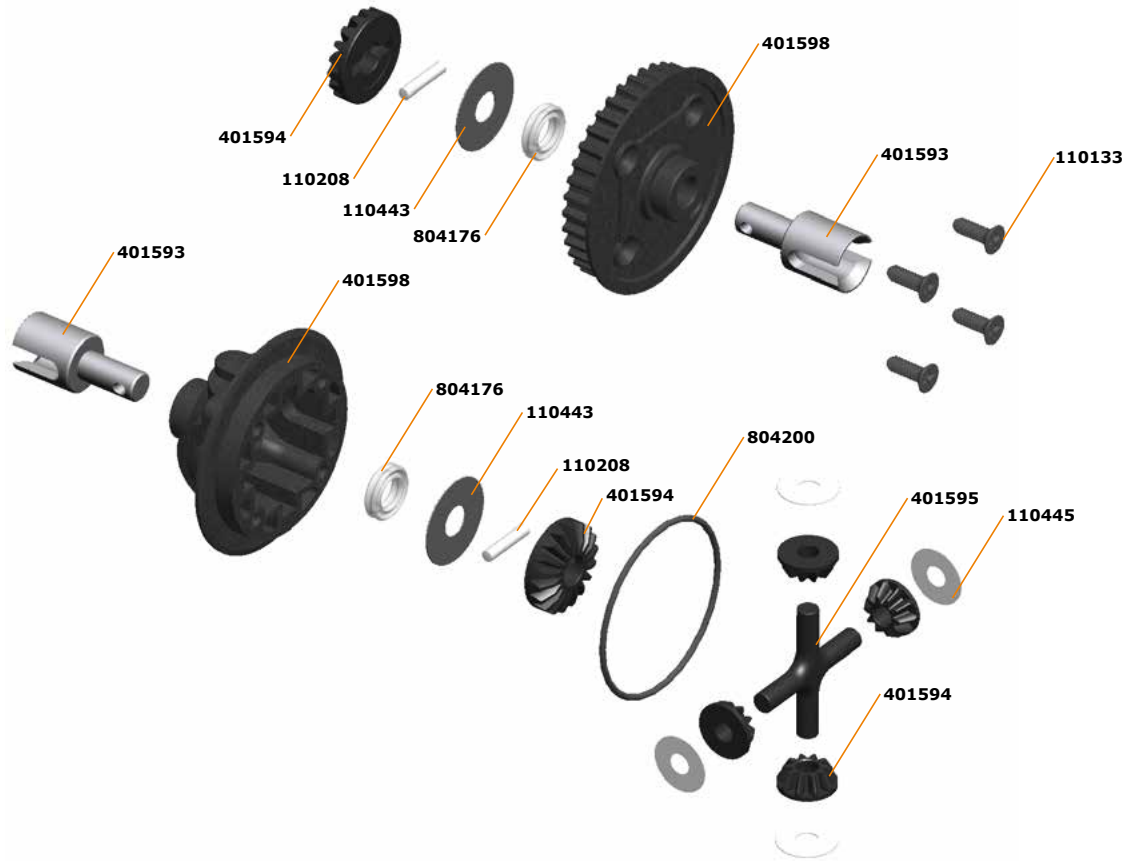


REF GUIDE: EXPLODED VIEWS

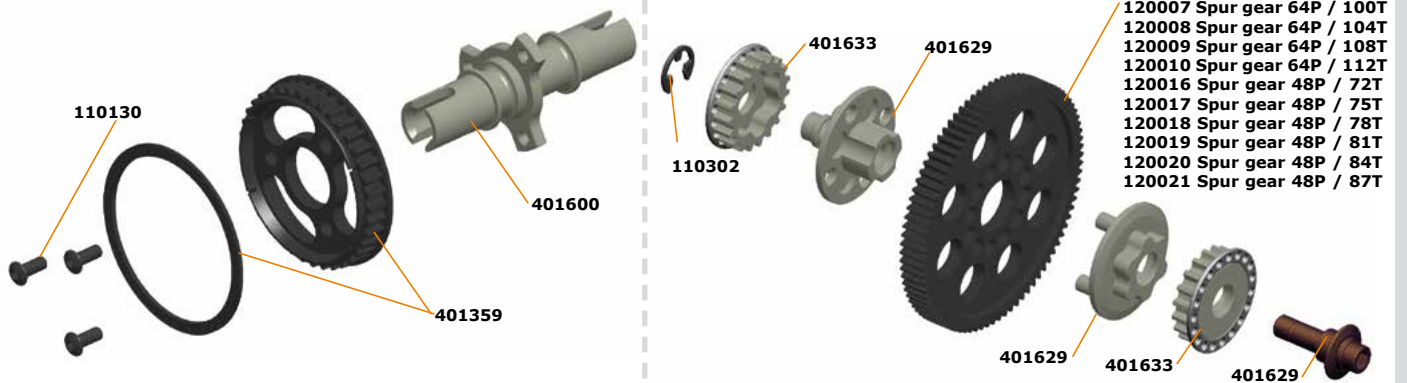
Contents

GEARDIFF ASSEMBLY	21
FRONT SOLID ASSEMBLY	21
MID AXLE ASSEMBLY	21
SHOCKS ASSEMBLY	21
REAR I ASSEMBLY	22
FRONT I ASSEMBLY	22
REAR II ASSEMBLY	23
FRONT II ASSEMBLY	23
STEERING ASSEMBLY	24
FRONT STEERING AND BUMPER ASSEMBLY	24
REAR SHOCK ASSEMBLY	25
FINAL ASSEMBLY	25

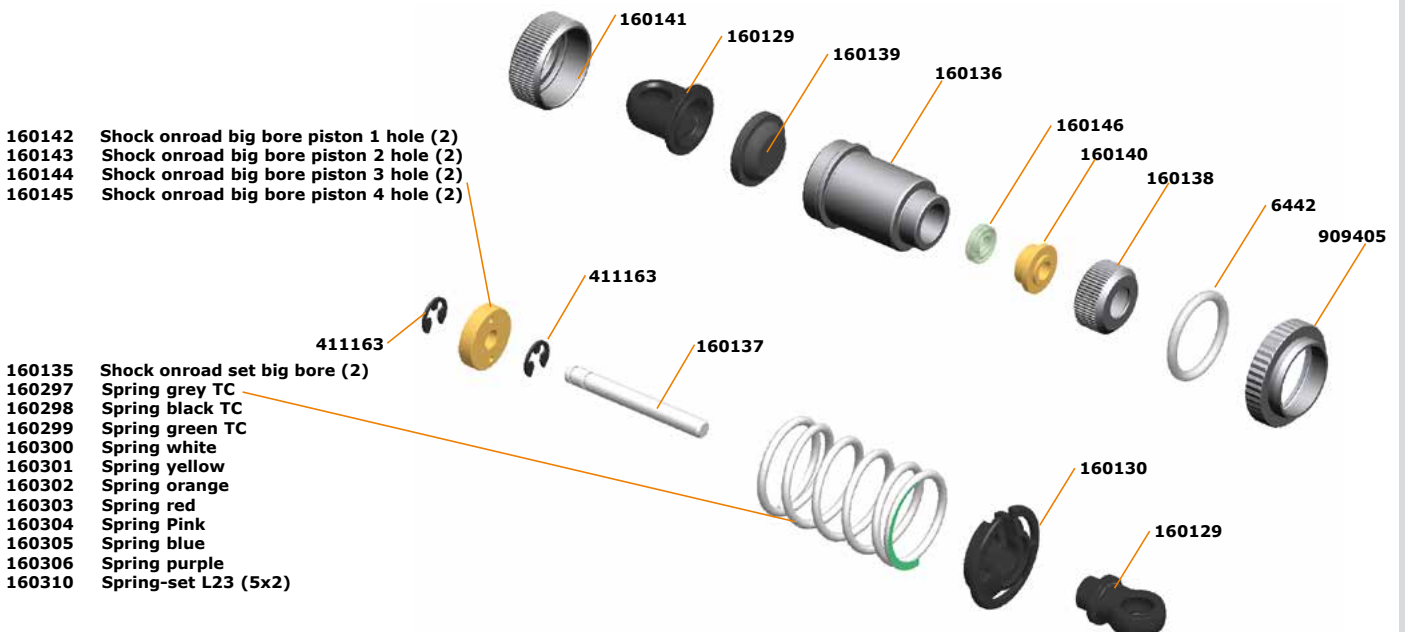
GEARDIFF ASSEMBLY



FRONT SOLID AND MID AXLE ASSEMBLY



SHOCKS ASSEMBLY



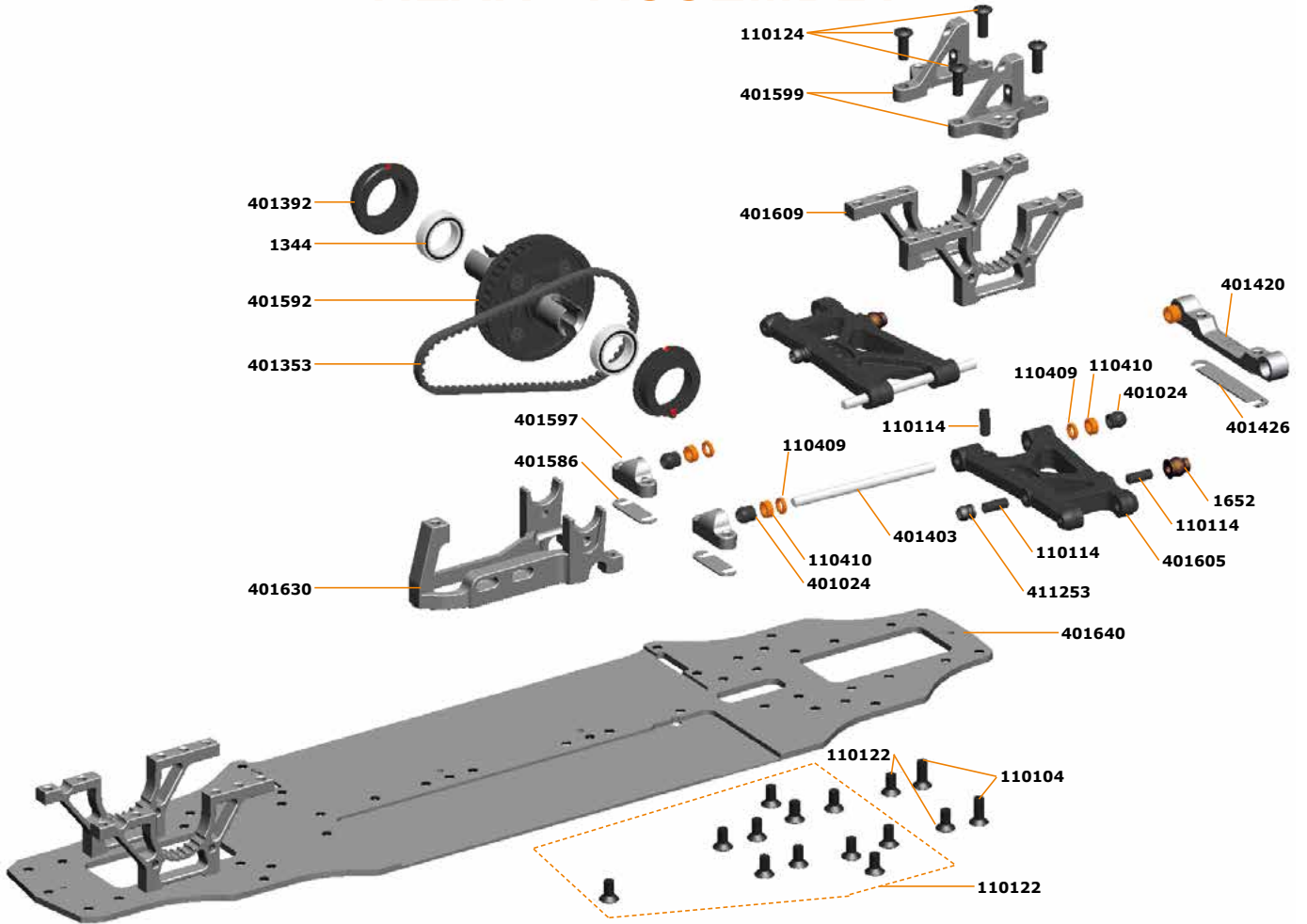
- 160142 Shock onroad big bore piston 1 hole (2)
- 160143 Shock onroad big bore piston 2 hole (2)
- 160144 Shock onroad big bore piston 3 hole (2)
- 160145 Shock onroad big bore piston 4 hole (2)

- 160135 Shock onroad set big bore (2)
- 160297 Spring grey TC
- 160298 Spring black TC
- 160299 Spring green TC
- 160300 Spring white
- 160301 Spring yellow
- 160302 Spring orange
- 160303 Spring red
- 160304 Spring Pink
- 160305 Spring blue
- 160306 Spring purple
- 160310 Spring-set L23 (5x2)

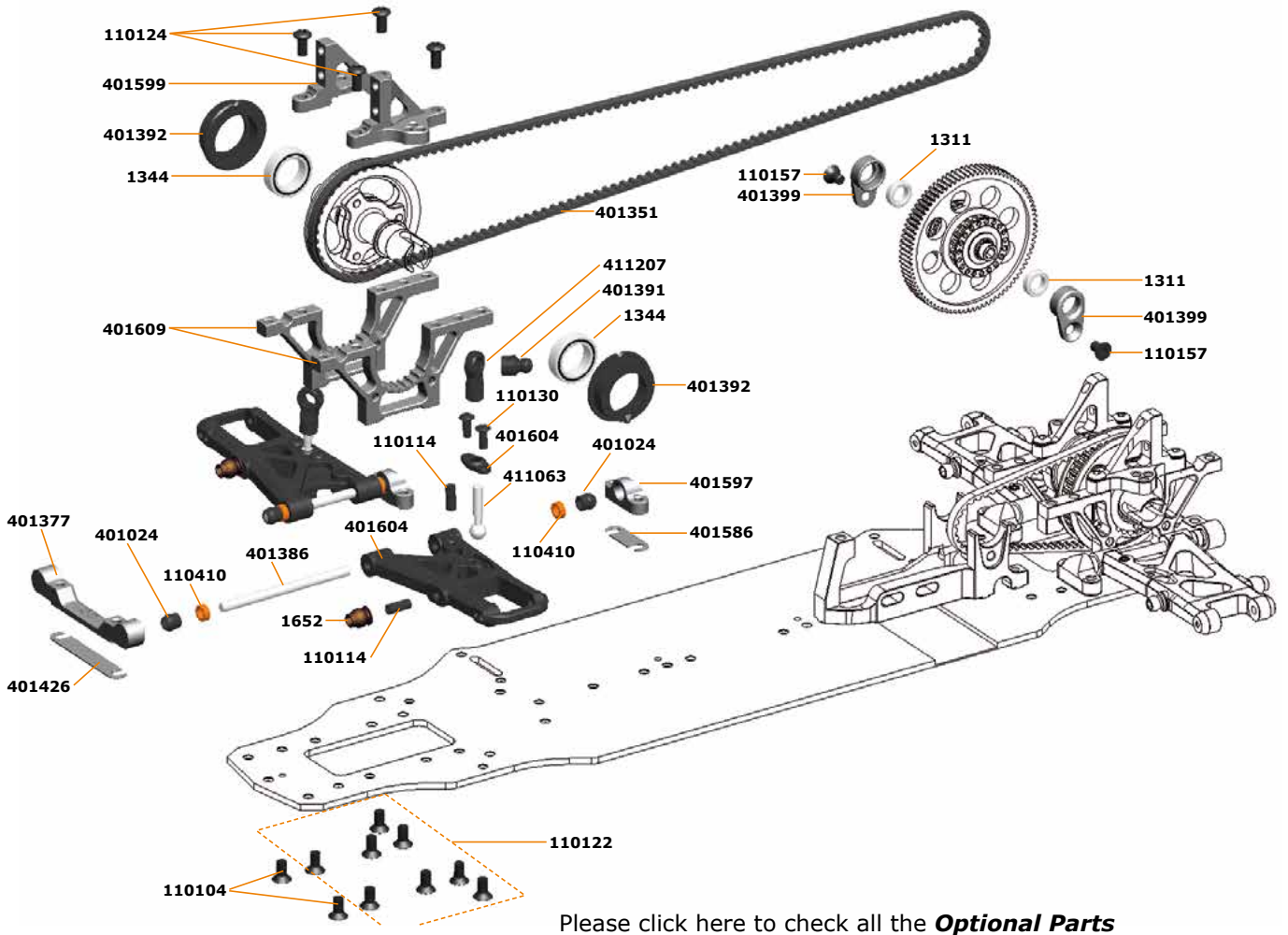
Please click [here](#) to check all the **Optional Parts**



REAR I ASSEMBLY

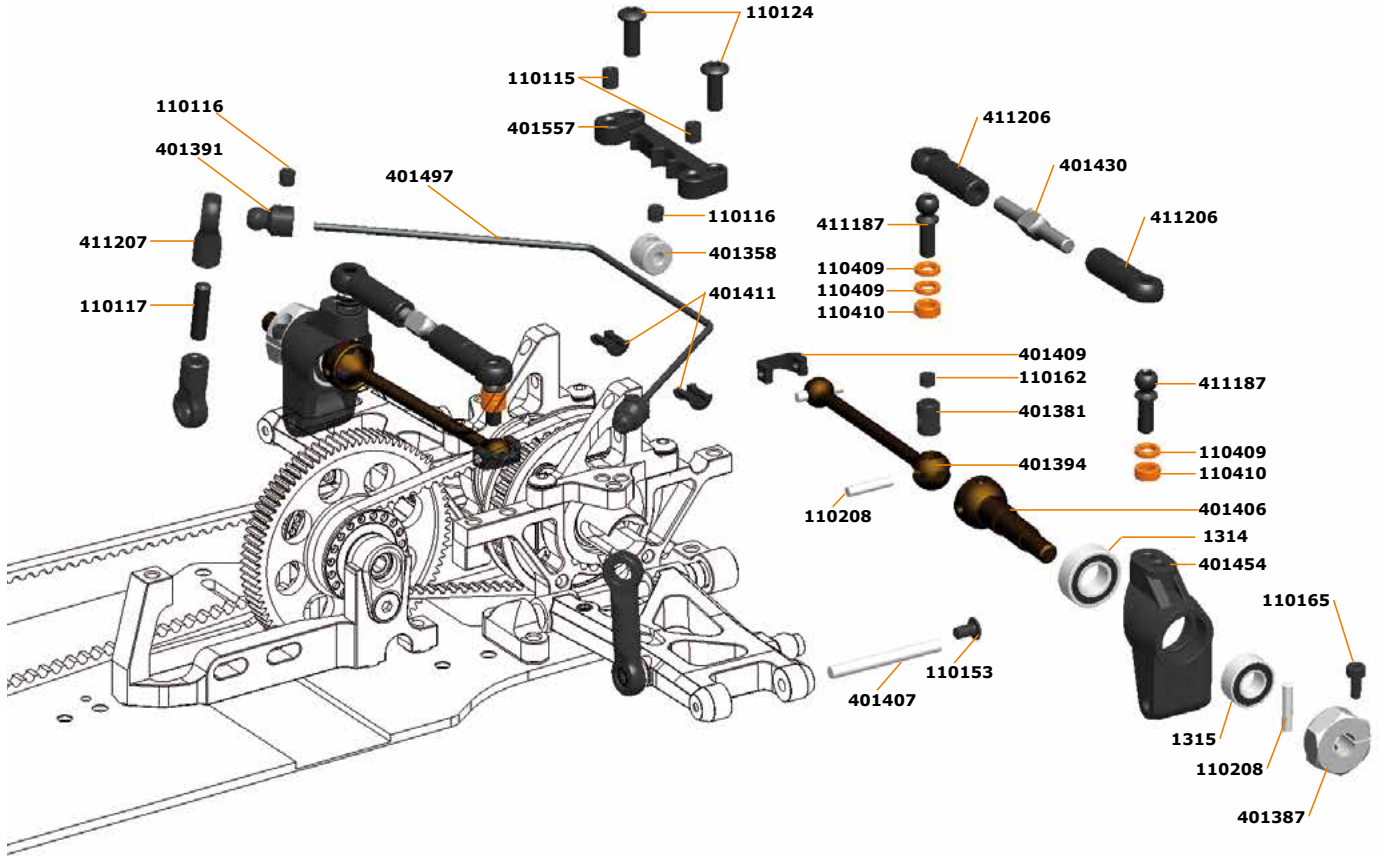


FRONT I ASSEMBLY



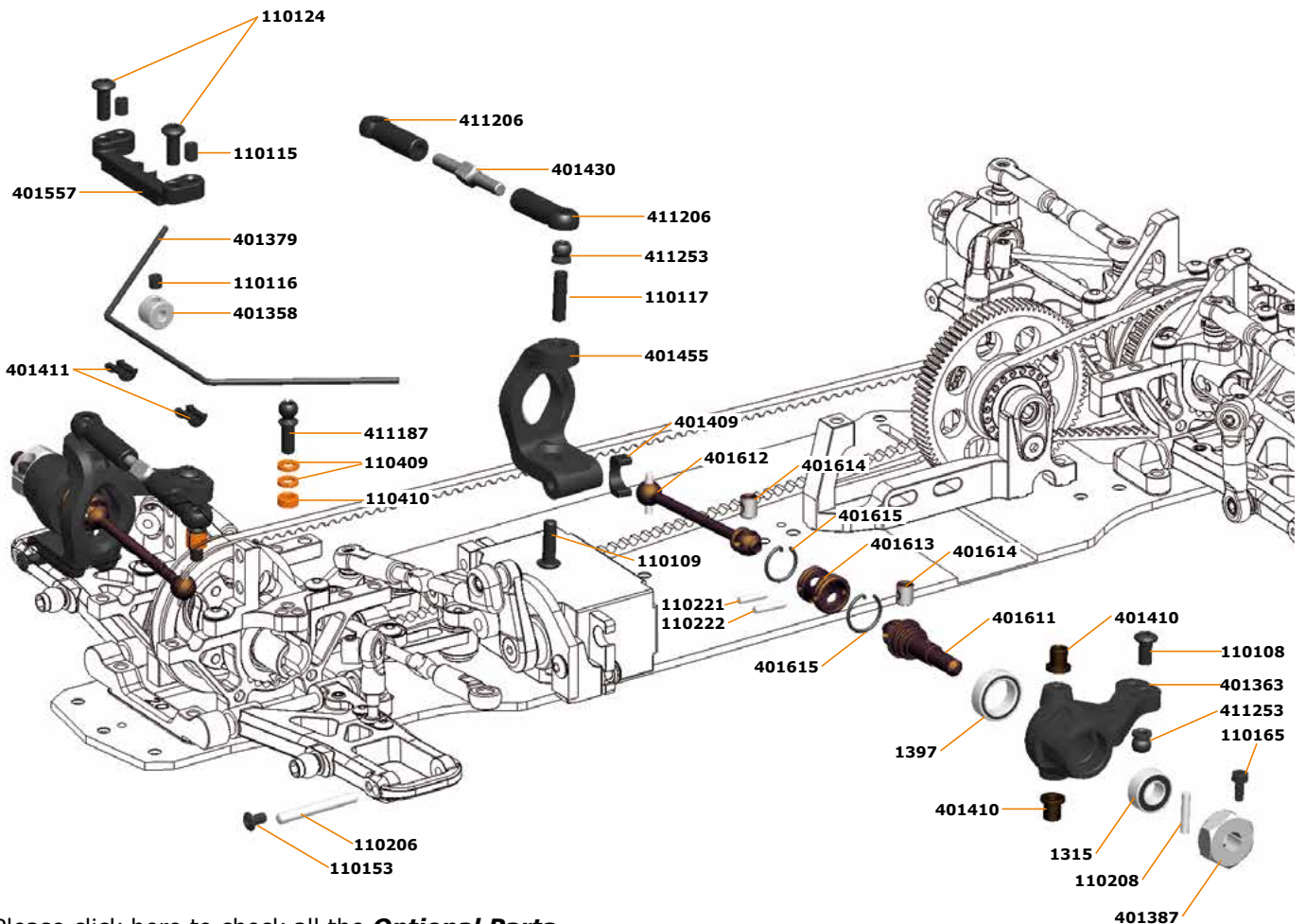
Please click here to check all the **Optional Parts**

REAR II ASSEMBLY



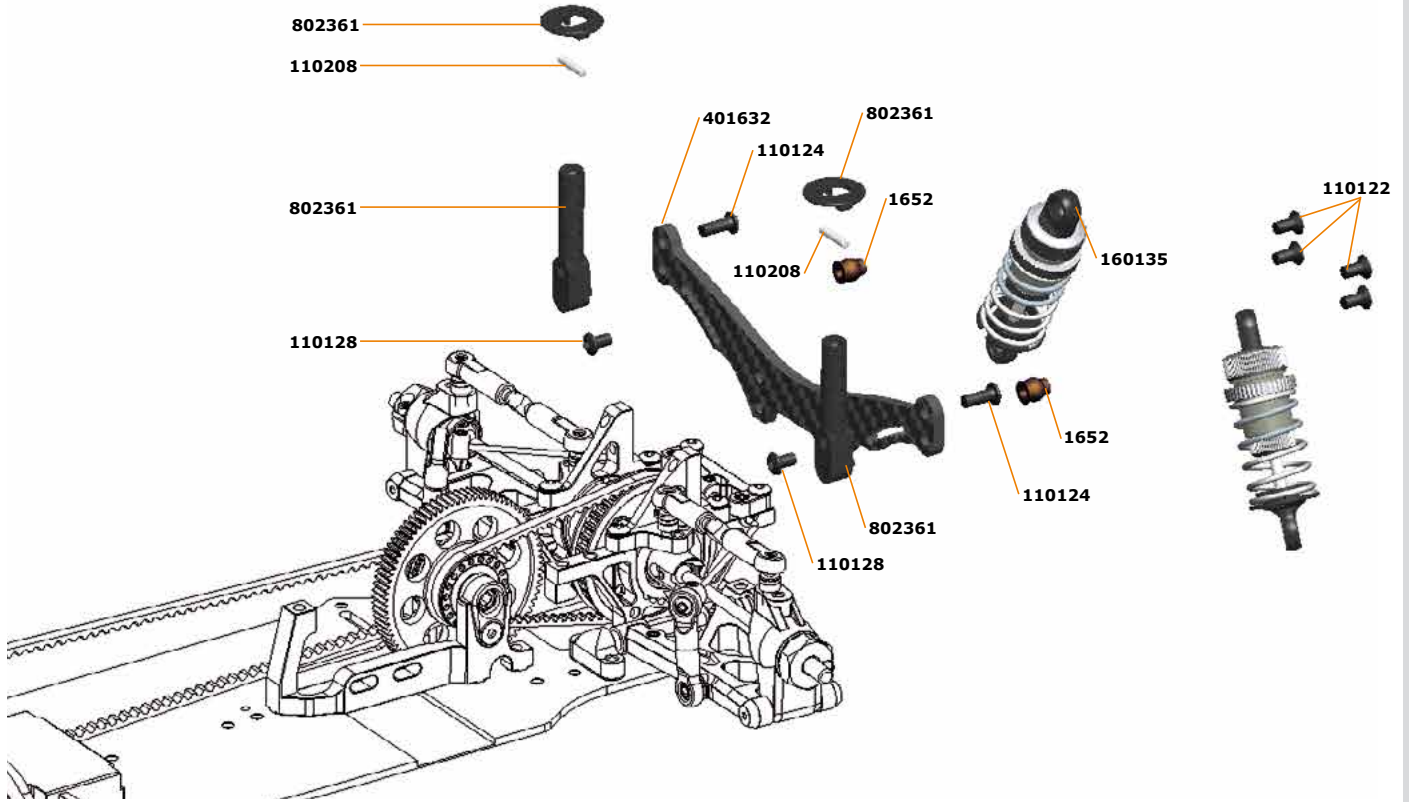
Please click here to check all the **Optional Parts**

FRONT II ASSEMBLY

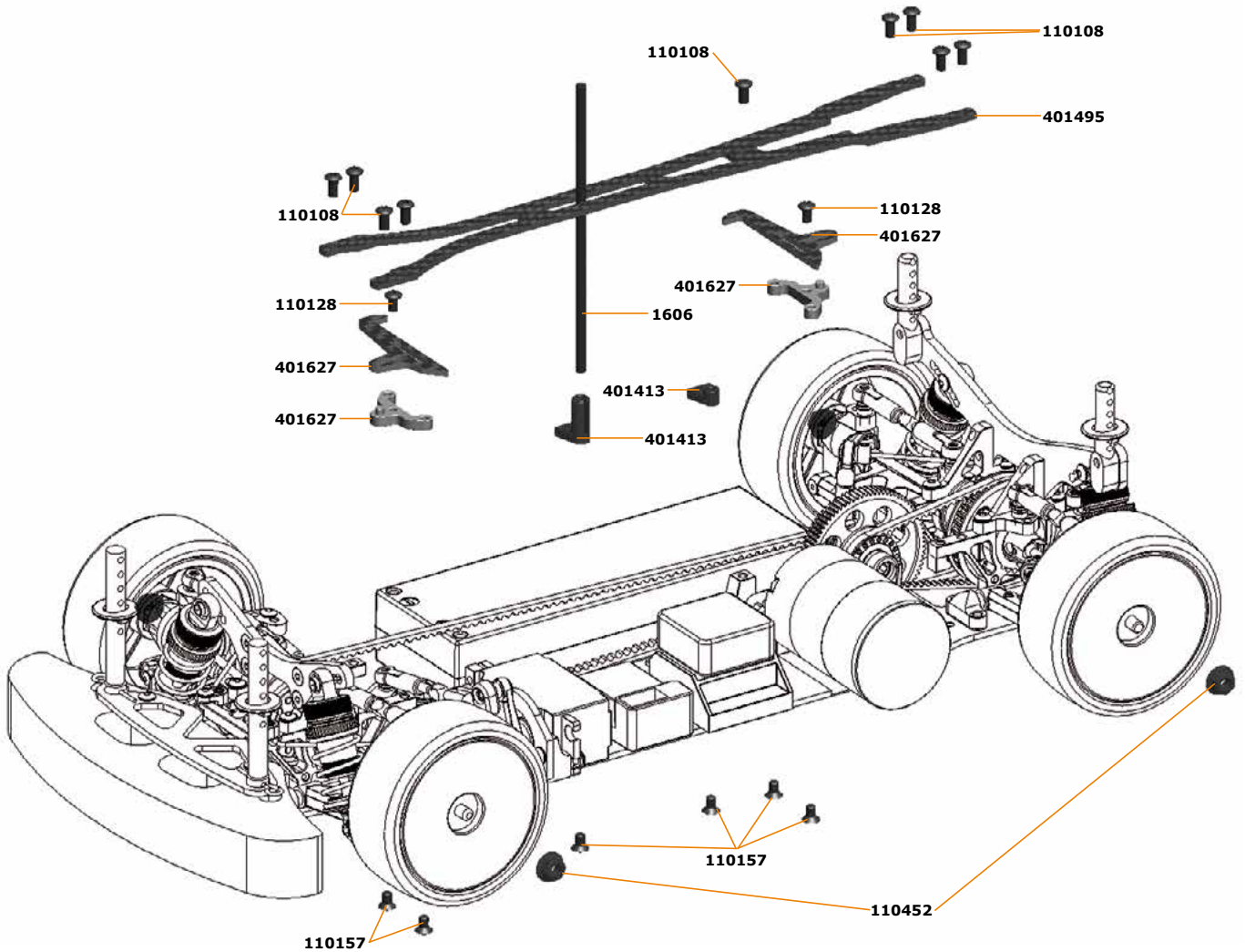


Please click here to check all the **Optional Parts**

REAR SHOCKS ASSEMBLY



FINAL ASSEMBLY



Please click here to check all the **Optional Parts**

TEAM SERPENT NETWORK

ERYX 4.0 SPARE PARTS



ERYX 4.0 OPTIONAL PARTS



SERPENT TOOLS



SERPENT MERCHANDISING



WEBSITE AND BLOG



SOCIAL MEDIA



Lined writing area for notes.

S411 ERYX 4.0



www.serpent.com - info@serpent.com



S411 Eryx 4.0 manual V1